



PARTS & ACCESSORIES

2024-2025

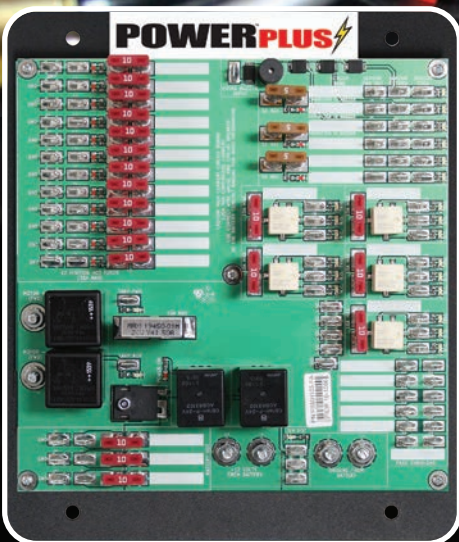
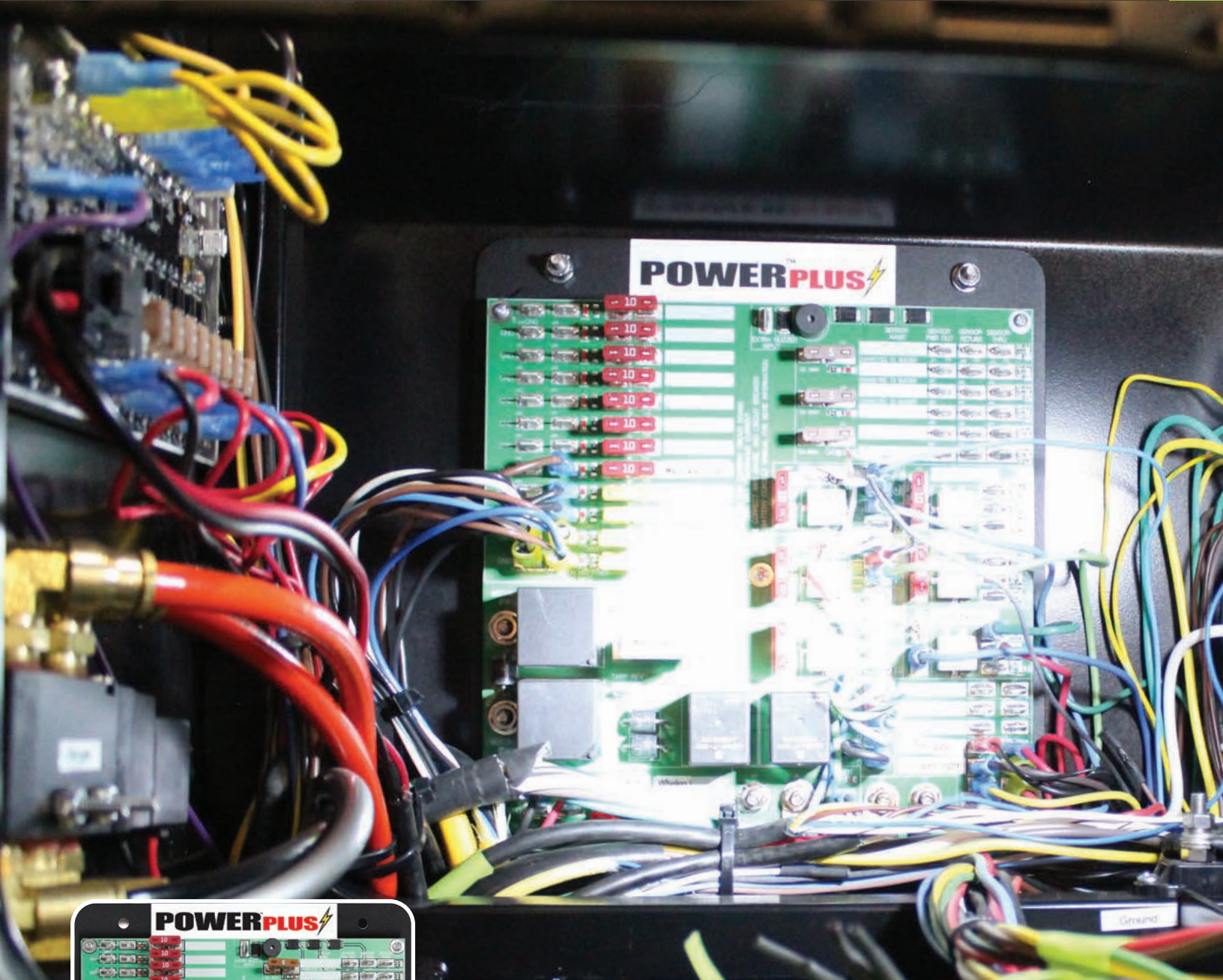


THE PARTS YOU NEED TO COMPLETE YOUR BUILD

Index

Section	Pages
PowerPlus™ Power Distribution Panel	3
Stainless Steel Restoration Kit	4
Tarp Components	5-7
Heavy-Duty Tarps	8-9
Auger, Conveyor & Spinner Motors / Hydraulic Cylinders / Bushings	10-11
FSH Conveyor Chain / Hydraulic Filters & Gauges / Prewet Parts	12-13
Munibody Conveyor Chain	14-15
Electric Spreader Controls	16-17
Pintle Plates	18-23
Pintle Plate Attachments	24-25
Fenders & Mud Flaps	26-27
Mud Flap Brackets	28-29
Cab Shields	30-31
Tailgates	32-33
Body Accessories: Sure Step™ Ladder	34-35
Asphalt Rear Lips	36-37
Sideboards	38-39
Plow Light Bracket Kits	40-41
LED Plow Lights & Work Light Connector Parts	42
Hydraulic Lines, Fittings & Hose Coupler Brackets	43
Plow Components	44-45
Straps & Hold-Downs	46-47
Cameras & Monitoring Systems	48
Our Team / Contact Information	49

Power Distribution Panel



Power Plus™ Power Distribution Panel

Every powered circuit is fused to prevent damage to the electrical system with the Henderson Power Plus™. Each line is illuminated for quick visual system diagnosis. A circuit breaker is installed between the panel and the truck battery for added safety. The Power Plus panel can be installed on the inside back of the cab (with stainless steel enclosure), or under the passengers seat.

PART NO.	DESCRIPTION
148605	Power Plus™ Power Distribution Panel
143047	Assembly Box / Cover
115730	Hexhead nut - self locking
143564	Kit with the above part numbers
156472	Line description decals for Power Plus™ Power Distribution Panel

Stainless Steel Restoration Kit



BEFORE

AFTER

Stainless Steel Restoration Kit

Powerful cleaners, rust prohibitors, application equipment and PPE to restore weathered stainless-steel surfaces on trucks, brine makers and other equipment to like new condition.

Part No. 178130

DESCRIPTION

Rust Remover Solution	5 Gallon
Handhelp Pump Sprayer	
Pad Swivel Holder	10" x 4.5"
Cleaning Pad	Blue
Aluminum Handle	39.5" Long
Nitrile Chemical Resistant Gloves	Pair
Clear Safety Goggles	
Rust Prohibitor Solution	5 gallon
Disc Sander Pad Hookit	
Aluminum Oxide Sanding Pad	
Disc Bristle Pad	
Disc Surface Prep Pad	
Disc Backup Pad	
Threaded Adapter	1/4" - 20



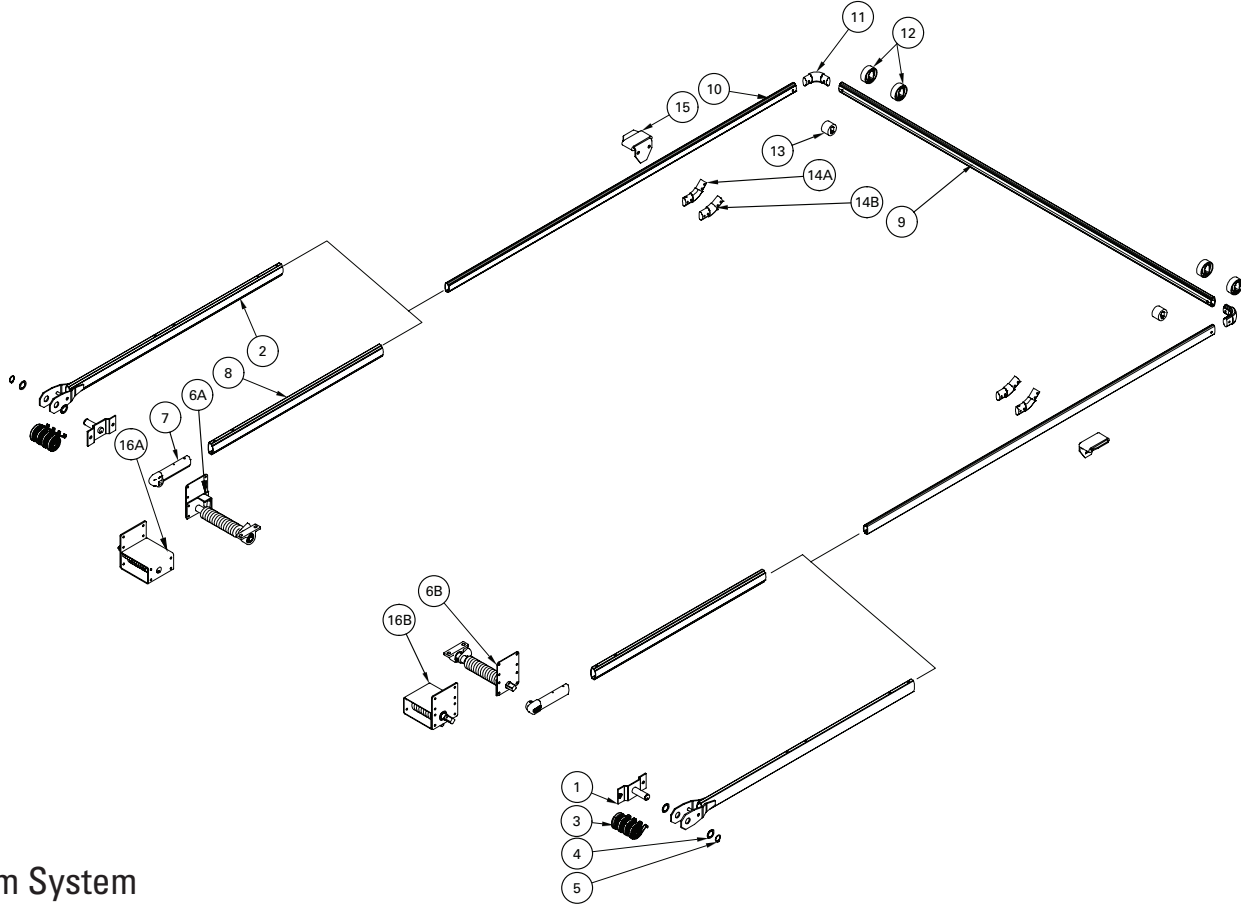
182072
■ 1-gallon rust remover



182073
■ 1-gallon rust prohibitor

Over time, even Stainless-Steel equipment can be affected by corrosion, carbon steel dust, various chlorides, road grime, etc. The Henderson Stainless Steel Restoration Kit will make your equipment look near new again!

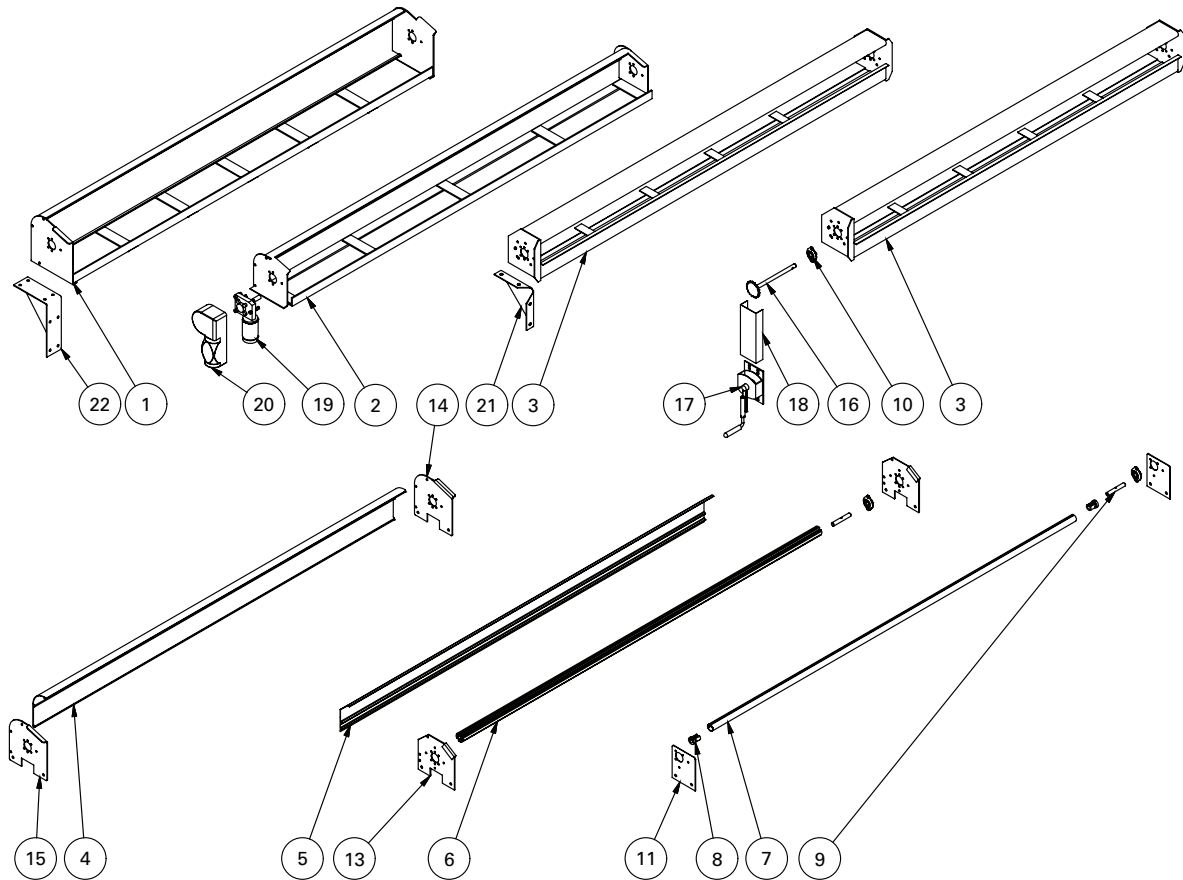
Tarp Components



Aluminum System

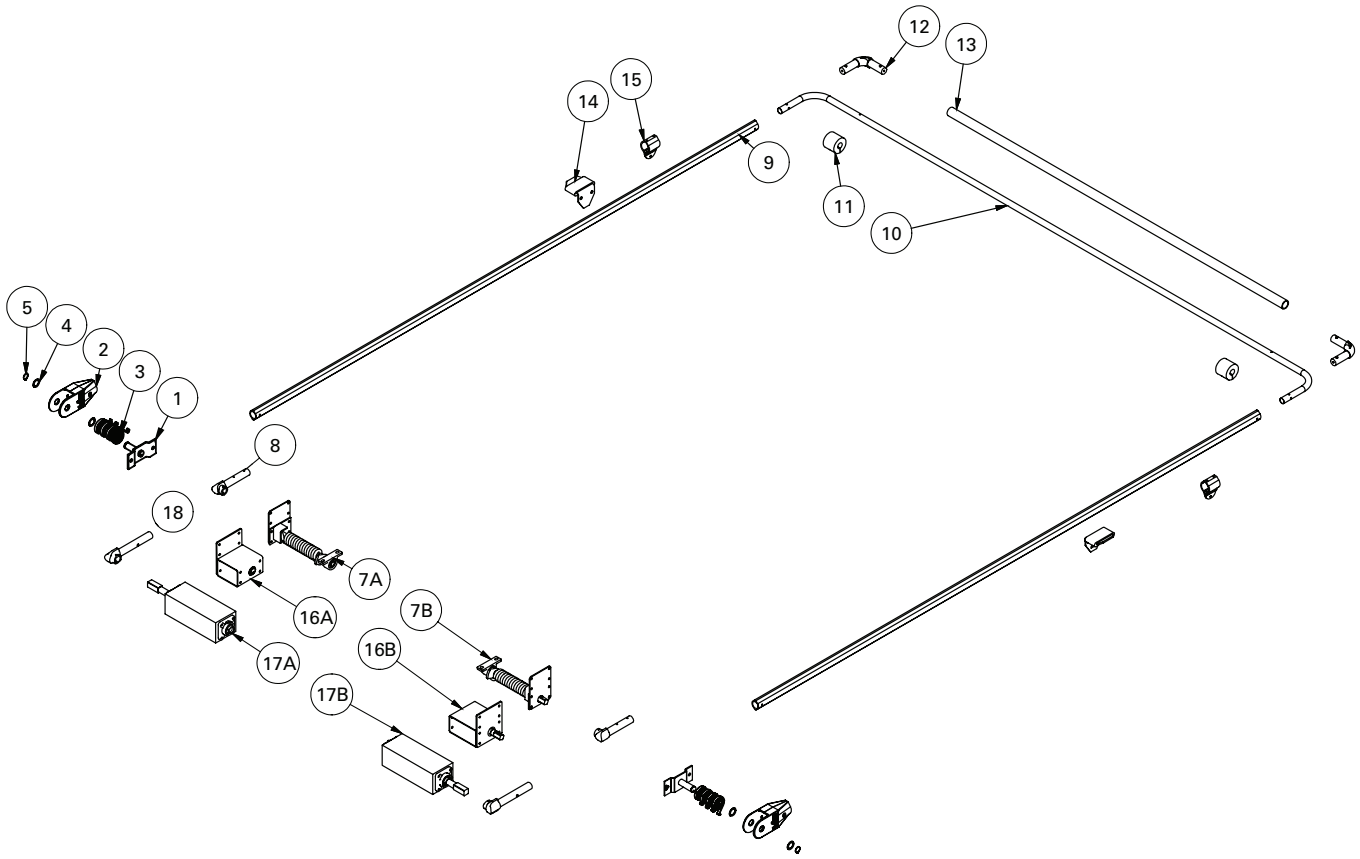
REFERENCE	PART NO.	QTY REQUIRED	DESCRIPTION	
1		2	3-spring pivot pin	
1	164899	2	4-spring pivot pin	
1		2	5-spring pivot pin	
2		2	3-spring lower aluminum arm	31" length
2	163461	2	4-spring lower aluminum arm	48" length
2	164275	2	4-spring lower aluminum arm	60" length
2		2	5-spring lower aluminum arm	84" length
3	164020	8	Spiral torsion spring	
4	164529	4	Stainless steel bushing	
5	164530	2	External retaining ring for pivot pin	
6A	164021	1	Underbody spring assembly	Right - passengers side
6B	164022	1	Underbody spring assembly	Left - drivers side
7		2	Underbody aluminum casting	
8	165097	2	Underbody aluminum lower arm	84" length
8		2	Underbody aluminum lower arm	96" length
8		2	Underbody aluminum lower arm	144" length
8		2	Underbody aluminum lower arm	192" length
9	164465	1	Aluminum cross tube	105.5" length
10	163460	2	Aluminum upper side arm	98" long "11236-Ba" for bent arms
10	166733	2	Aluminum upper side arm	122" long "14600-Ba" for bent arms
11	164159	2	Aluminum 90° corner	
12	163463	4	Plastic tarp centering flange - Black	
13	164824	2	2.5" rubber tarp centering flange	
14A	164857	2	Optional aluminum 45° elbow	
14B		2	Optional aluminum 30° elbow	
15		2	Aluminum stop bracket with rubber bumper	
16A		1	7-spring underbody assembly	Left - drivers side
16B		1	7-spring underbody assembly	Right - passengers side
16A		1	10-spring underbody assembly	Left - drivers side
16B		1	10-spring underbody assembly	Right - passengers side

Tarp Components



Aluminum Tarp Spool

REFERENCE	PART NO.	QTY REQUIRED	DESCRIPTION	
1		1	Large aluminum tarp housing	Up to 102" width
2		1	Open top aluminum housing	Up to 102" width
3	166058	1	Aluminum tarp spool housing	92"
3		1	Aluminum tarp spool housing	98"
3	166164	1	Aluminum tarp spool housing	104"
4		1	Smooth front aluminum wind deflector	Up to 102" width
5		1	Polished aluminum wind deflector	103" width
5		1	Polished aluminum wind deflector	97" width
6	164019	1	2" heavy-duty aluminum tarp axle	101 ⁵ / ₈ " width
6	164034	1	2" heavy-duty aluminum tarp axle	95 ⁵ / ₈ " width
7	162225	1	1 ¹ / ₂ " aluminum tarp axle cap	103" width
8	162280	1	1 ¹ / ₂ " tarp axle cap	
9	162281	1	Spool shaft	5"
10	162341	1-2	³ / ₄ " axle bearing	
11		2	Steel tarp spool mounting bracket	
11		2	Heavy-duty steel spool mounting bracket	
12	162342	2	Bumper for tarp spool mounting bracket	
13	163464	2	Aluminum tarp spool mounting bracket w/ bumper	
14		1	Smooth front wind deflector mounting bracket	Right - passenger side
15		1	Smooth front wind deflector mounting bracket	Left - drivers side
16	166732	1	Upper 18-tooth sprocket & shaft	
17	165840	1	Ground level crank box	
18	170974	1	Optional steel chain guard	
19			Motors vary from application to application	
20			Chrome motor cover	
21		4	Aluminum housing support brace	Each
22		2	Open top housing support brace	Each



Bulletproof Aluminum System

REFERENCE	PART NO.	QTY REQUIRED	DESCRIPTION	
1	164899	2	4-spring pivot pin	
2	161925	2	4-spring external mount casting	For Bulletproof arm
3	164020	8	Spiral torsion spring	
4	164529	4	Stainless steel bushing	For pivot pin
5	164530	2	Retaining ring	For pivot pin
6	164528	4	Brass bushing	
7A	164021	1	Underbody spring assembly	Right - passenger side
7B	164022	1	Underbody spring assembly	Left - drivers side
8		2	Underbody Bulletproof arm casting	
9		2	Aluminum Bulletproof arm	144" length "14877-Ba" for bent arms
9		2	Aluminum Bulletproof arm	168" length "13633-Ba" for bent arms
9		2	Aluminum Bulletproof arm	192" length "13722-Ba" for bent arms
9		2	Aluminum Bulletproof arm	210" length "14801-Ba" for bent arms
9		2	Aluminum Bulletproof arm	240" length "13723-Ba" for bent arms
9		2	Aluminum Bulletproof arm	288" length "14748-Ba" for bent arms
10	161127	1	Steel cross tube	102" wide - for 96" wide trailers
10	160856	1	Steel cross tube	108" wide - for 102" wide trailers
11	160403 or 165096	2	3" rubber tarp centering flange	
12	164911	2	Upper Bulletproof arm casting	
13		1	Bulletproof cross tube	Aluminum, 96" length
14		2	Aluminum stop bracket	With rubber bumper
15		1	Arm hold down kit	
16A		1	7 spring underbody assembly	Left - drivers side
16B		1	7 spring underbody assembly	Right - passenger side
16A		1	10 spring underbody assembly	Left - drivers side
16B		1	10 spring underbody assembly	Right - passenger side
17A		1	HD Bulletproof underbody spring	Right - passenger side
17B		1	HD Bulletproof underbody spring	Left - drivers side
18		2	HD Bulletproof casting	

HD Tarps

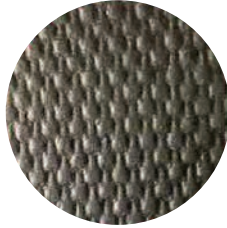
Mesh Tarps

These hand-sewn heavy-duty tarps are made of PVC-coated polyester or polyethylene, designed with a woven mesh fabric or vinyl. They are tough and durable, as well as resistant to UV and chemicals.

Black Mesh

The industry standard cargo control mesh. Recommended for rock, sand, gravel, and brush.

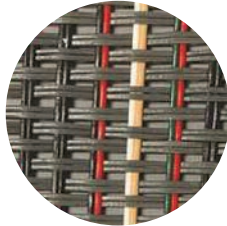
Construction	Medium weight, PVC-coated polyester
Color	Black



Monster Mesh

Heavyweight tightly woven mesh with 50% more threads than our HD, PVC-coated polyester. Recommended for refuse and storm clean-up applications.

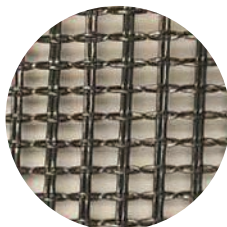
Construction	Heavyweight, PVC-coated polyester
Color	Black



Woven Mesh

Medium weight, open PVC-coated polyester mesh that provides high air flow to reduce wind whip. Preferred for coarse commodities at highway speeds.

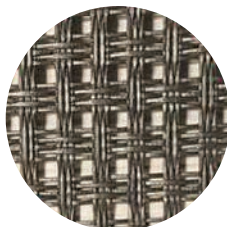
Construction	Medium weight, PVC-coated polyester
Color	Black



Armor Mesh

Severe-duty block woven 5x5 PVC-coated polyester mesh. Provides outstanding performance in recycling, refuse, demo, and storm clean-up applications.

Construction	Severe-duty PVC-coated polyester
Color	Black



Vinyl & Canvas Tarps

Asphalt Lumite

Lightweight and water-resistant polypropylene fabric. Rated to 350° F. Excellent for asphalt hauling applications.

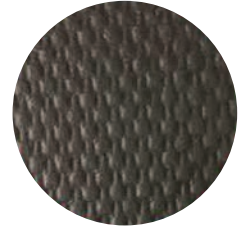
Construction	Lightweight PVC-coated polyester
Color	Black



18 oz. Black Vinyl

Our most popular tarp material. The industry-standard tarp fabric preferred for asphalt hauling applications.

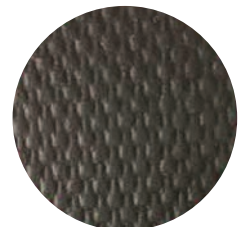
Construction	PVC-coated polyester
Color	Black



22 oz. Black Vinyl

Severe-duty, heavier weight and more durable version of the 18 oz. tarp. Excellent for asphalt hauling applications.

Construction	PVC-coated polyester
Color	Black



RFL Coated Canvas

Severe-duty asphalt tarp. Tightly woven, coated polyester canvas. Rated to 400° F and stays flexible in cold weather.

Construction	PVC-coated polyester
Color	Black



How to Order a Tarp

Width Options (Choose an Option)

- 72" 78" 84" 90" 96"

Flap Options (Choose an Option)

- Blank No Flaps
 2F 2 Flaps
 3F 3 Flaps

Material Options (Choose an Option)

- BM - Black Mesh WM - Woven Black Mesh MM - Monster Mesh AM - Armor Mesh
 RFL - RFL Coated Canvas LU - Asphalt Lumite BV - 18 oz Black Vinyl 22BV - 22 oz Black Vinyl

Tarp Length

Please provide your dump body box length.

Tarp Style (Choose an Option)

- S Spline in Tarp Front P Pull Style
 N No Pocket T Throw Tarp
 C No Pocket Combo Spline & Grommets

Bracket

109461.201

- 201 stainless steel or mild steel
- Weld-on or bolt-on
- 8" w x 6.25" h x .375"
- Two .625" tapped holes



Auger, Conveyor & Spinner Motors



Auger & Conveyor Motors

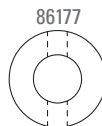
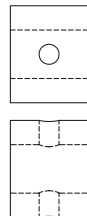
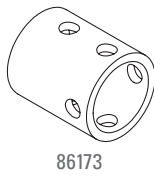
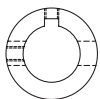
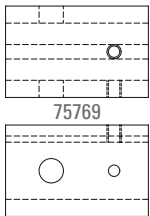
PART NO.	DESCRIPTION
106200	Auger motor - for FSH
86176	Conveyor motor - for TGS - 6" auger
83301	Conveyor motor - for TGS - 9" auger
75210	Conveyor motor - for FSH
118164	Conveyor motor - for FSH
10956	Conveyor motor - for FSH (6:1)

Sensored motors available upon request. Contact the Henderson Parts Dept. for your application. Seal kits available upon request.

Spinner Motors

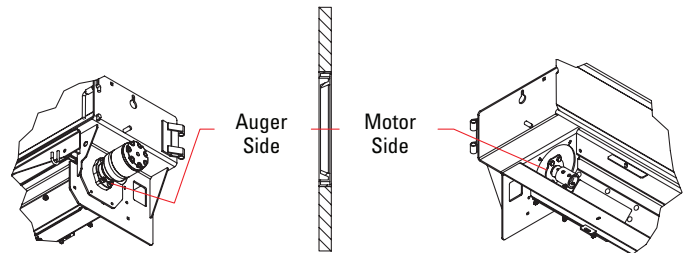
PART NO.	DESCRIPTION
74453	Hydraulic motor, 2.8 cir, 4B, w/CH
75211	Hydraulic motor, 2.8 cir, 2B, w/CH
118163	Hydraulic motor, 3.0 cir, 4B, w/CH
107848	Hydraulic motor, 2.8 cir, 4B, w/CH
108104	Hydraulic motor, 3.2 cir, 2B, w/CH

Sensored motors available upon request. Contact the Henderson Parts Dept. for your application. Seal kits available upon request.



Bushings

PART NO.	DESCRIPTION	
75769	Adapter bushing	DD, 1.25" ID / 2.0 OD x 3.13" L
86173	Adapter bushing	UHMW 2.0" / 2.5" x 2.88" L
86177	Adapter bushing	UHMW 1.25" ID / 2.5" OD



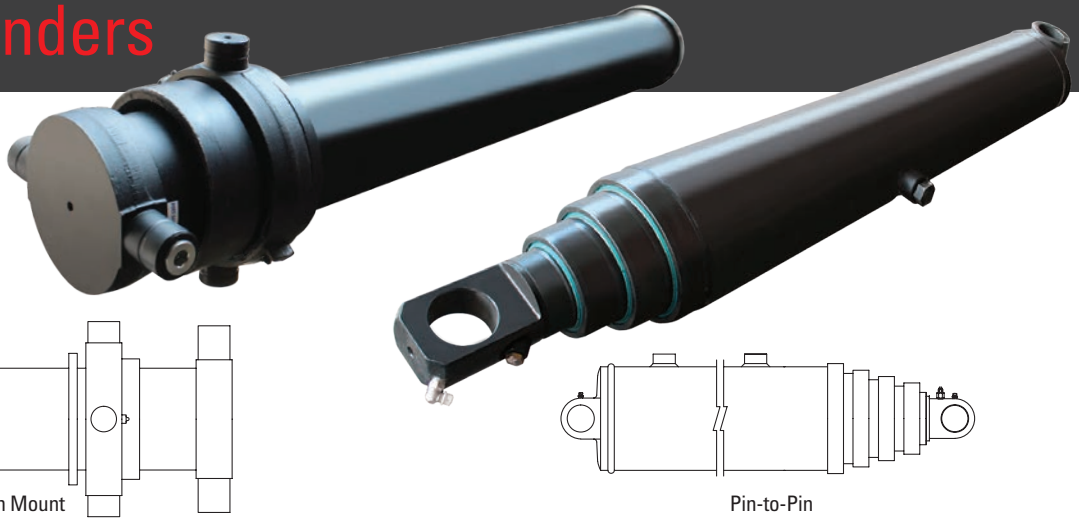
TGS Seal Saver Kits

PART NO.	DESCRIPTION
138478.201	6" auger - 4-bolt kit
138412.201	9" auger - drive
138478.201	9" auger - spinner

Hydraulic Cylinders

Hoist Cylinders

For proper dump lift cylinders, contact the Henderson Parts Dept. with unit or cylinder serial number.



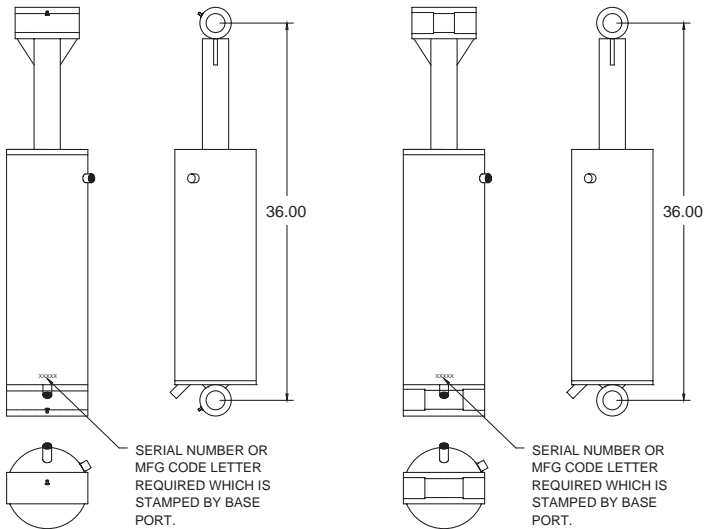
Plow Lift Cylinders

PART NO.	DESCRIPTION	
81865	3 x 10 x 1.5	Nitrided
81866	3 x 10 x 2.0	Nitrided
81867	4 x 10 x 2.0	Nitrided
85510	For MSP plow	
81862	For MSP plow	
127590	For MSP plow	

Other cylinders also available.



8-17 Cylinders



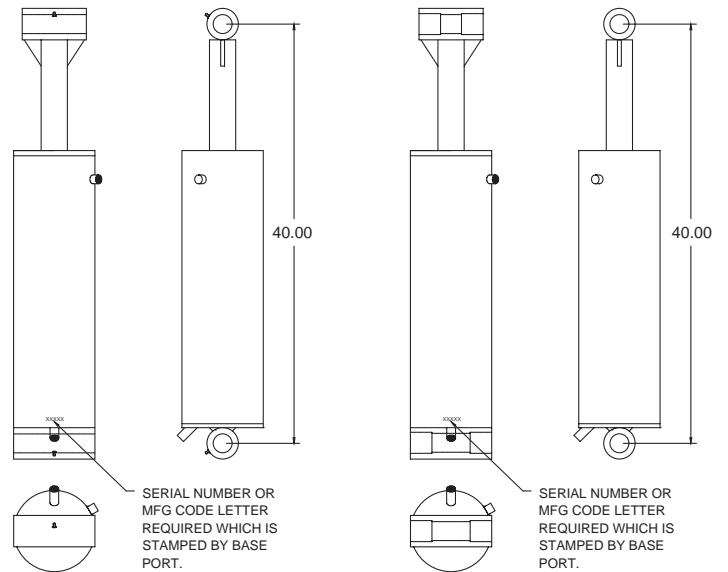
76944

- Greaseable
- 8" diameter piston
- 1721" stroke

80973

- Greaseless
- 8" diameter piston
- 17" stroke

8-21 Cylinders



151110

- Greaseable
- 8" diameter piston
- 21" stroke

80974

- Greaseless
- 8" diameter piston
- 21" stroke

Seal kits available upon request for all cylinders.

7" cylinders are no longer available. 7" cylinders have been replaced by 8" cylinders.

Hydraulic Filters & Gauges

NEW!

Reservoir-Mounted Return Filter

82703

- Externally-mounted return filter with 25 psi by-pass valve
- one 1-1/4" NPT return port
- Gauge ports on both sides
- Includes O-ring seal between reservoir top and filter housing
- Includes element

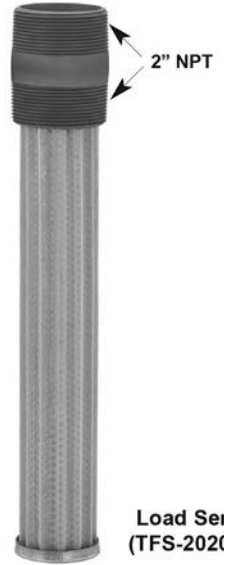


NEW!

Suction Strainer 32Mp/32MP

82702

- Load sensing
- 100 mesh
- Cast iron



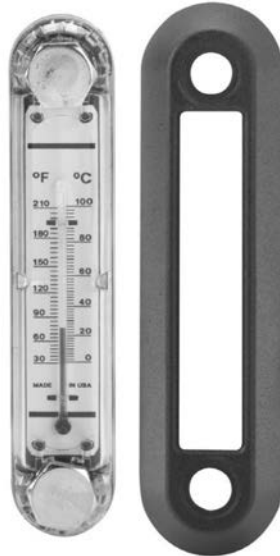
Load Sen
(TFS-202)

NEW!

Reservoir Site Gauge

76409

- Clear nylon construction
- Oil level sight/temperature gauge 0°F to +250°F
- Static o-ring seals prevent fluid leakage
- 5" studs on-center



NEW!

Gauge Return Filter 25 PSI

82703B

- Externally-mounted return filter with 25 psi by-pass valve
- Black steel case
- -20°F to +200°F operating range
- Brass stem
- Acrylic lens



NEW!

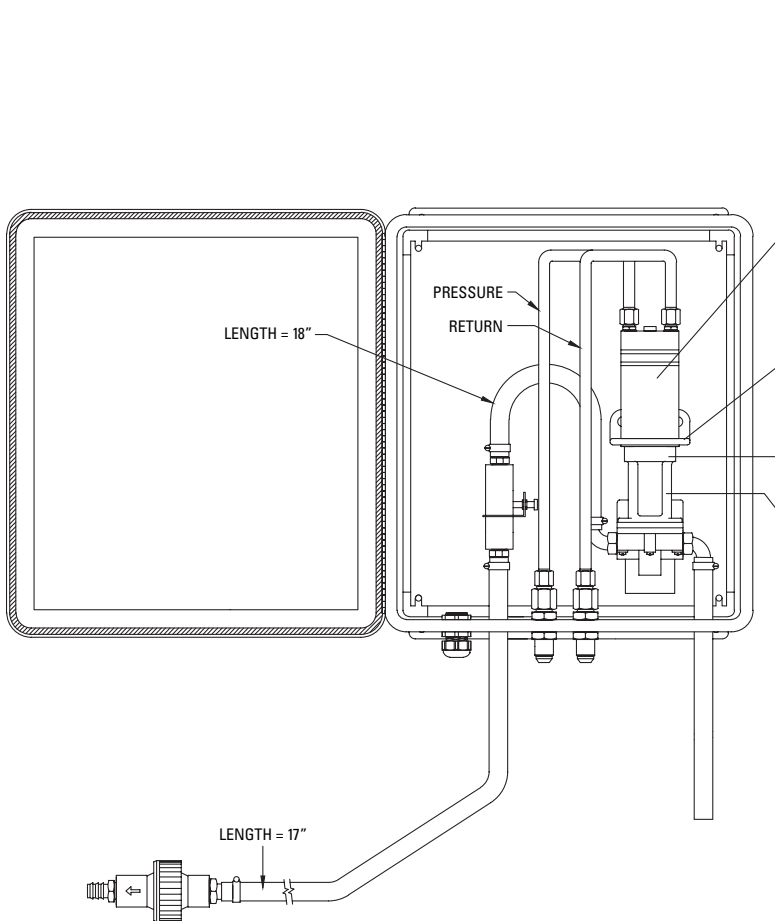
Filler Breather

78974

- 10 micron foam element
- Cap-to-base chain connection
- Perforated metal basket
- Can be padlocked
- Includes gasket



Prewet Parts



NEW!

Hydraulic Motor

- 84057
- 1.21 Cir Omm

NEW!

Motor Bracket

- 84052
- Mtg aluminum pwsh

NEW!

Half-Flex Coupling

- 84051
- .63 w/ key

NEW!

Rubber Spider Insert

- 84068
- Lo50

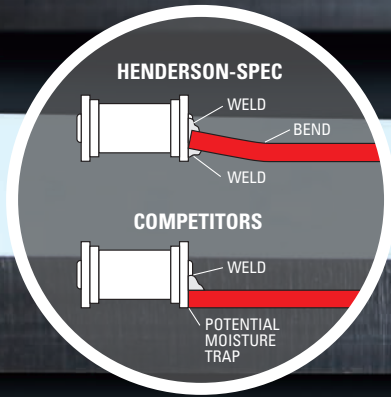
NEW!

Gear Pump

- 86784
- 4.2 GPM, Pwsh



FSH Conveyor Chain - Mild & Stainless Steel



On some chain, Henderson puts a bend at each end of each bar and welds the bar to the links on the top and bottom. This makes for a stronger chain with fewer rust points.

Competitors use straight bar and only weld one side. The bar attachments are weaker and potentially harbor moisture.

X Chain (21,500 lb) for 6 Tooth Sprockets - 1/4" Bars - Bar Every Other Link

PART NO.	DESCRIPTION	QUANTITY NEEDED PER CONVEYOR LENGTH									
		7'	8'	9'	10'	11'	12'	13'	14'	15'	16'
77467	Chain weldment, 22 link, .25 x 1.5	2	1	-	5	1	6	1	-	2	1
77468	Chain weldment, 34 link, .25 x 1.5	1	2	-	-	-	2	3	2	-	
77469	Chain weldment, 50 link, .25 x 1.5	-	-	2	-	2	-	1	1	1	3

X Chain (21,500 lb) for 6 Tooth Sprockets - 3/8" Bars - Bar Every Other Link

PART NO.	DESCRIPTION	QUANTITY NEEDED PER CONVEYOR LENGTH									
		7'	8'	9'	10'	11'	12'	13'	14'	15'	16'
77470	Chain weldment, 22 link, .38 x 1.5	2	1	-	5	1	6	1	-	2	1
77471	Chain weldment, 34 link, .38 x 1.5	1	2	-	-	-	2	3	2	-	
77472	Chain weldment, 50 link, .38 x 1.5	-	-	2	-	2	-	1	1	1	3

X Chain (21,500 lb) for 8 Tooth Sprockets - 1/4" Bars - Bar Every Other Link

PART NO.	DESCRIPTION	QUANTITY NEEDED PER CONVEYOR LENGTH									
		7'	8'	9'	10'	11'	12'	13'	14'	15'	16'
77467	Chain weldment, 22 link, .25 x 1.5	2	1	-	2	1	-	2	7	3	8
77468	Chain weldment, 34 link, .25 x 1.5	1	2	3	2	-	1	-	-	-	
77469	Chain weldment, 50 link, .25 x 1.5	-	-	-	-	2	2	2	-	2	-

X Chain (21,500 lb) for 8 Tooth Sprockets - 3/8" Bars - Bar Every Other Link

PART NO.	DESCRIPTION	QUANTITY NEEDED PER CONVEYOR LENGTH									
		7'	8'	9'	10'	11'	12'	13'	14'	15'	16'
77467	Chain weldment, 22 link, .38 x 1.5	2	1	-	2	1	-	2	7	3	8
77468	Chain weldment, 34 link, .38 x 1.5	1	2	3	2	-	1	-	-	-	
77469	Chain weldment, 50 link, .38 x 1.5	-	-	-	-	2	2	2	-	2	-

K Chain (27,500 lb) for 8 Tooth Sprockets - 3/8" Bars - Bar Every Other Link

PART NO.	DESCRIPTION	QUANTITY NEEDED PER CONVEYOR LENGTH									
		7'	8'	9'	10'	11'	12'	13'	14'	15'	16'
81058	Chain, weldment, D667K, 22 link, .38 x 1.5	2	1	-	2	1	-	2	7	3	8
81059	Chain, weldment, D667K, 34 link, .38 x 1.5	1	2	3	2	-	1	-	-	-	
81060	Chain, weldment, D667K, 50 link, .38 x 1.5	-	-	-	-	2	2	2	-	2	-

Stainless Steel - K Chain (27,500 lb) for 8 Tooth Sprockets - 3/8" Bars - Bar Every Other Link

PART NO.	DESCRIPTION	QUANTITY NEEDED PER CONVEYOR LENGTH									
		7'	8'	9'	10'	11'	12'	13'	14'	15'	16'
81058.304	Chain, weldment, D667K, 22 link, .38 x 1.5	2	1	-	2	1	-	2	7	3	8
81059.304	Chain, weldment, D667K, 34 link, .38 x 1.5	1	2	3	2	-	1	-	-	-	
81060.304	Chain, weldment, D667K, 50 link, .38 x 1.5	-	-	-	-	2	2	2	-	2	-

Don't see your chain listed? Contact the Henderson Parts Dept. for other configurations.

Match Up Pintle Chain Guide

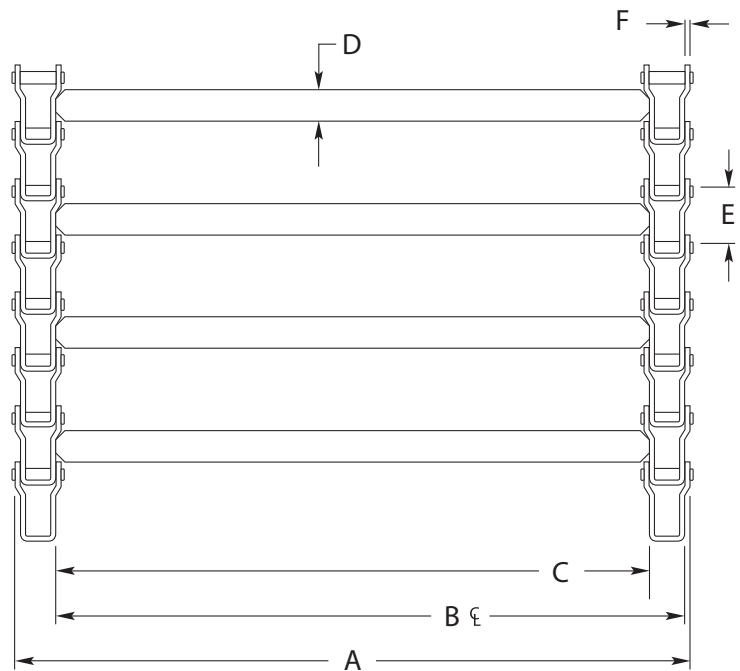
ITEM	DESCRIPTION	HENDERSON SPEC
A	Outside chain width	23.14"
B	Chain center-to-center (C-to-C sprocket centers)	21.13"
C	Inside chain width	19.8"
D	Cross bar width	1.5"
	Cross bar thickness	.25" or .375"
E	Single chain pitch (pin-to-pin)	2.25"
	Chain links/pitches per side	
F	.170 D667X pintle chain (standard)	
	.200 D667K pintle chain (heavy-duty)	

CHAIN CONSTRUCTION (CHOOSE ONE)

Cross bar every other link

Cross bar every link (double bar)

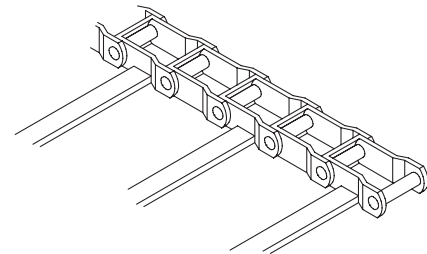
Doesn't match your chain? Contact the Henderson Parts Dept. for other configurations.



Related Parts

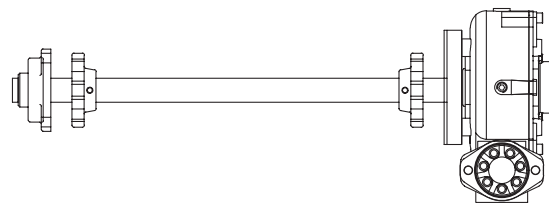
Pintle Chain Repair Parts

PART NO.	DESCRIPTION
DRI115	Chain coupler link, D667X (w/2 pins & 2 keys)
DRI225	Pin & key only, D667X
77482	Bar, flight, weldment, D667X, 3/8" bar
DRI240	Chain coupler link, D667K - with pin & keeper included
DRI241	Pin & keeper, D667K / D88K
DRI242	Bar flight weldment, D667K, 21.13" CL
DRI240.304	Stainless steel chain coupler link, D667K - with pin & keeper included
DRI241.304	Stainless steel pin & keeper, D667K / D88K
DRI242.304	Stainless steel bar flight weldment, D667K, 21.13" CL



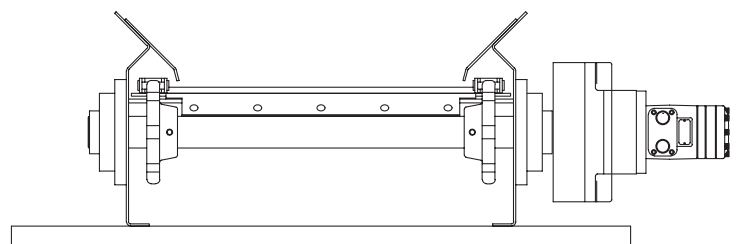
1.5" Diameter Conveyor Drive Shaft Repair Parts

PART NO.	QUANTITY	DESCRIPTION
84394	2	Sprocket, 1.5" Dia., 6-tooth
02133-1	2	Sprocket, 1.5" Dia., 8-tooth
03006	1	Bearing, Flange, 1.5", 4-bolt
108586	1	Gearcase, ASM, 25:1, 1.5" shaft - includes shaft
106951	1	Gearcase, ASM, 50:1, 1.5" shaft - includes shaft



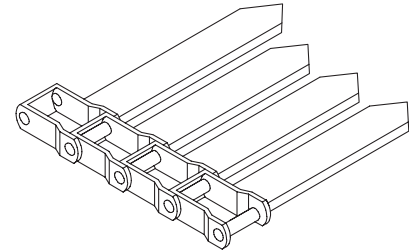
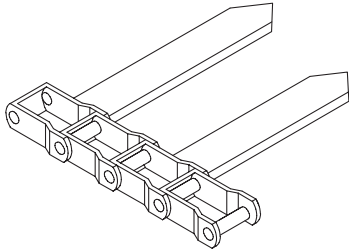
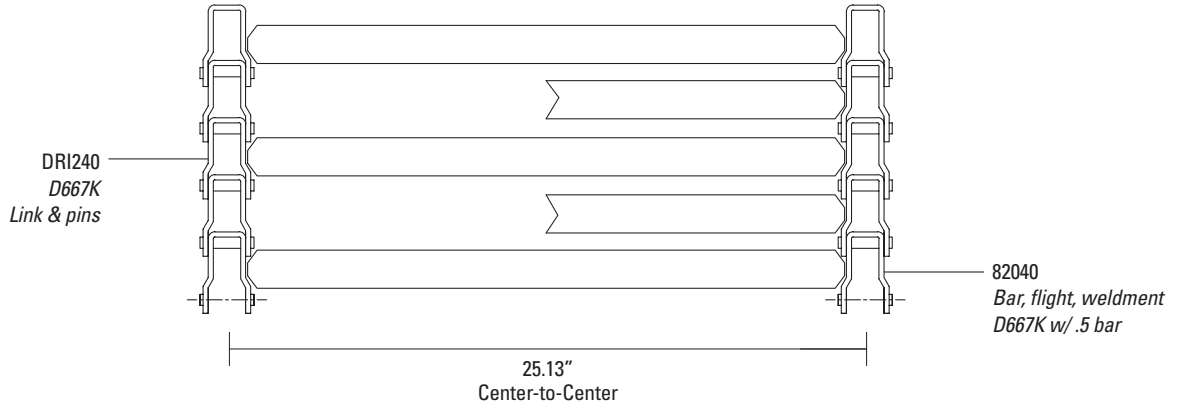
2" Diameter Conveyor Drive Shaft Repair Parts

PART NO.	QUANTITY	DESCRIPTION
27704	2	Sprocket, 2" Dia., 8-tooth
50622	2	Bearing, Flange, 2", 4-bolt
106952	1	Gearcase, ASM, LH, 50:1, 2" shaft
111242	1	Gearcase, ASM, RH, 25:1, 2" shaft
52066	1	Gearcase, 6:1, 2" shaft - requires 84548 shaft below
84548	1	Shaft, drive, 2", 6:1



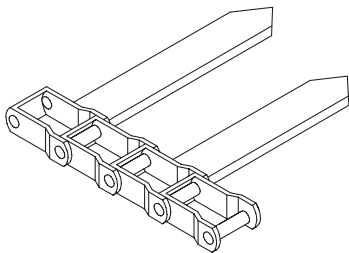
Munibody Conveyor Chain - Mild Steel

Standard Conveyor Chain



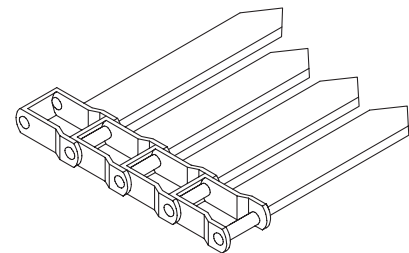
Pintle Conveyor Chain - Single Bar (External Doghouse)

HOPPER/BODY LENGTH	EXTERNAL DOGHOUSE		
	82080	82081	82082
9'/10'	1	1	1
10'/11'	0	2	1
11'/12'	2	1	1
12'/13'	0	1	2
13'/14'	0	0	3
14'/15'	2	2	1
15'/16'	4	1	1
16'/17'	2	1	2



Pintle Conveyor Chain - Double Bar (External Doghouse)

HOPPER/BODY LENGTH	EXTERNAL DOGHOUSE		
	83279	83280	83281
9'/10'	1	1	1
10'/11'	0	2	1
11'/12'	2	1	1
12'/13'	0	1	2
13'/14'	0	0	3
14'/15'	2	2	1
15'/16'	4	1	1
16'/17'	2	1	2



Pintle Conveyor Chain - Single Bar (Internal Doghouse)

BODY LENGTH	INTERNAL DOGHOUSE		
	82080	82081	82082
10'	1	1	1
11'	0	2	1
12'	2	1	1
13'	0	1	2
14'	0	0	3
15'	2	2	1
16'	4	1	1
17'	2	1	2

Pintle Conveyor Chain - Double Bar (Internal Doghouse)

BODY LENGTH	INTERNAL DOGHOUSE		
	83279	83280	83281
10'	1	1	1
11'	0	2	1
12'	2	1	1
13'	0	1	2
14'	0	0	3
15'	2	2	1
16'	4	1	1
17'	2	1	2

Belt-Over Conveyor Chain

Belt-Over Conveyor Chain - Pintle (External Doghouse)

HOPPER/BODY LENGTH	PART NO. FOR ENTIRE CHAIN
9'/10'	83341
10'/11'	83342
11'/12'	83343
12'/13'	83344
13'/14'	83345
14'/15'	83346
15'/16'	83347
16'/17'	83348

Belt-Over Conveyor Chain - Pintle (Internal Doghouse)

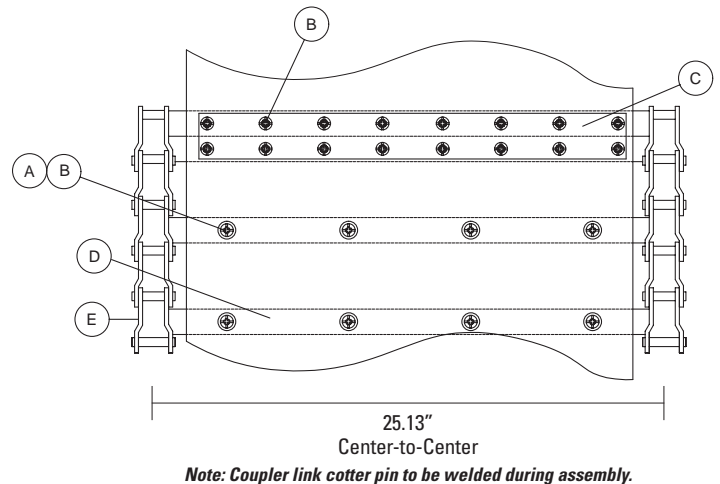
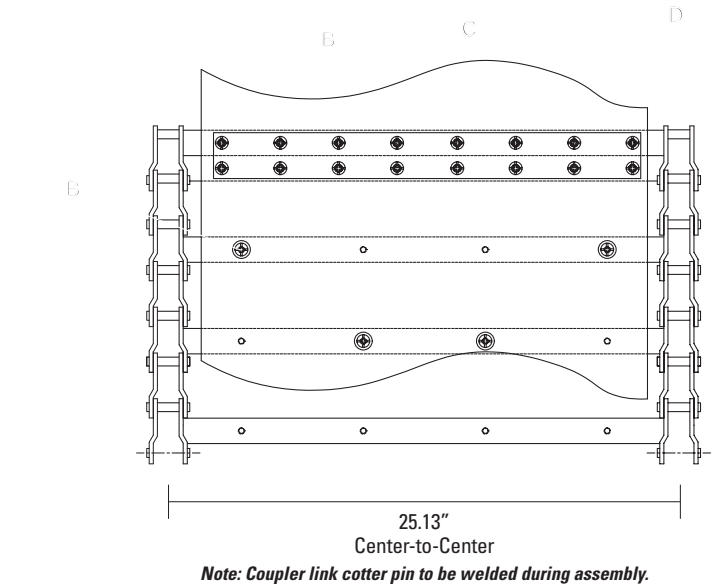
HOPPER/BODY LENGTH	PART NO. FOR ENTIRE CHAIN
10'	83342
11'	83343
12'	83344
13'	83345
14'	83346
15'	83347
16'	83348
17'	86677

Belt-Over Conveyor Chain - Pintle (Service Parts Only)

ITEM	PART NO.	DESCRIPTION
A	02432	Washer, conveyor, belt
B	11296	Screw, FHPH, 5/16NV x 3/4
C	83145	Plate, splice, cover
D	114765	Bar, flight, weldment, tapped
E	DR1240	Link

Parts Quantity (External Doghouse)

HOPPER/BODY LENGTH	ENTIRE CHAIN	02432	11296
9'/10'	83341	192	208
10'/11'	83342	208	224
11'/12'	83343	244	260
12'/13'	83344	264	280
13'/14'	83345	276	292
14'/15'	83346	296	312
15'/16'	83347	320	336
16'/17'	83348	340	356



Parts Quantity (Internal Doghouse)

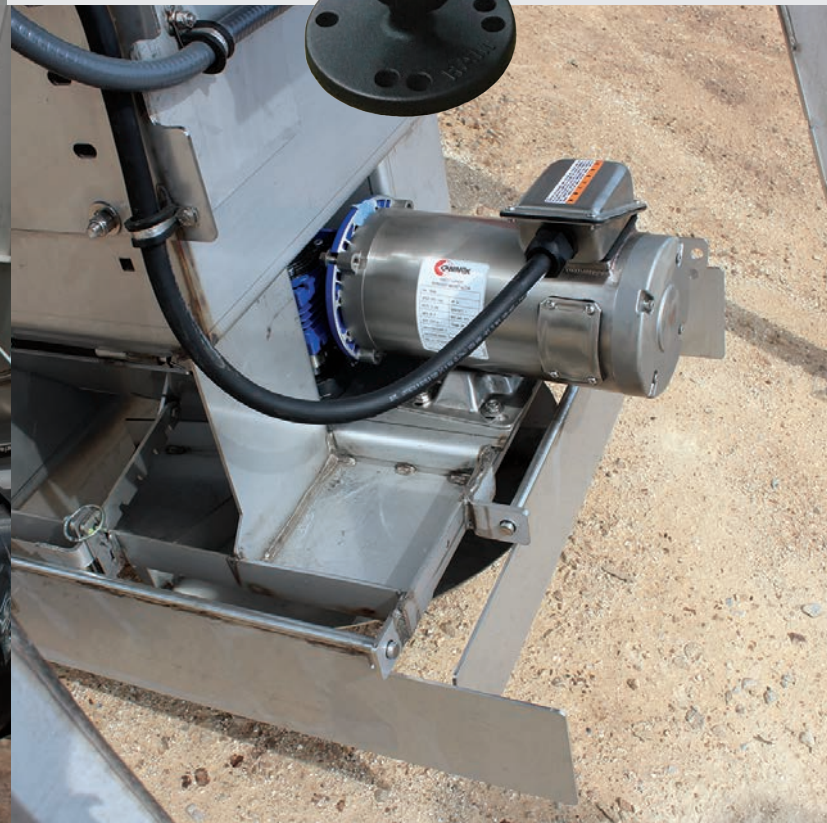
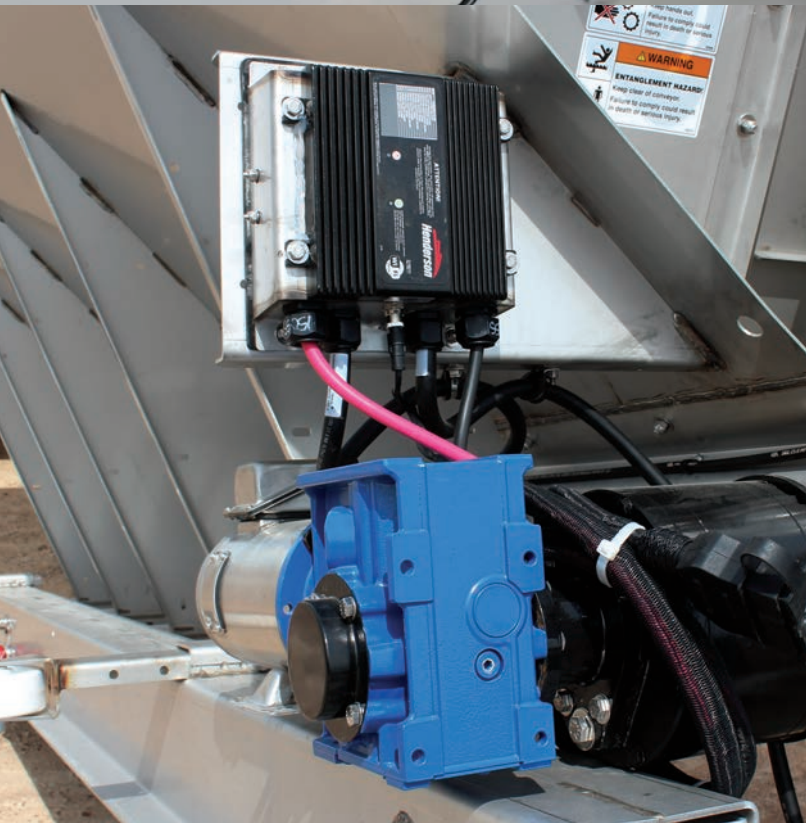
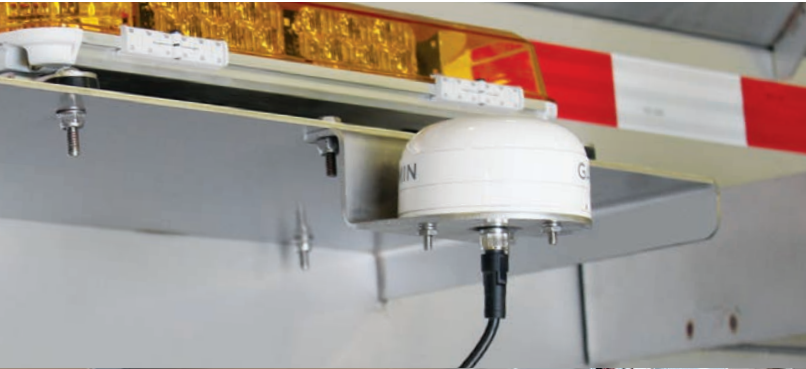
BODY LENGTH	ENTIRE CHAIN	02432	11296
10'	83342	192	208
11'	83343	208	224
12'	83344	244	260
13'	83345	264	280
14'	83346	276	292
15'	83347	296	312
16'	83348	320	336
17'	86677	340	356

Electric Spreader Control System

Electric Control System Retrofit Kits

PART NO.	DESCRIPTION		
159813	FSM & FSP	Basic	Electric system assembly, retrofit, sealed/solid state, for conveyor, spinner, strobe light, work light
159814	FSM & FSP	Basic w/ prewet	Electric system assembly, retrofit, sealed/solid state, for conveyor, spinner, strobe light, work light w/ prewet
159815	FSH	Basic	Electric system assembly, retrofit, sealed/solid state, for conveyor, spinner, strobe light, work light
159816	FSH	Basic w/ prewet	Electric system assembly, retrofit, sealed/solid state, for conveyor, spinner, strobe light, work light w/ prewet
159817	FSH	CHARGE CANbus	CHARGE Electric system assembly, retrofit, w/CANBUS (<i>Spreader only</i>)
159818	TGS	Basic	Electric system assembly, retrofit, sealed/solid state, for conveyor, spinner, strobe light, work light
159819	TGS	Basic w/ prewet	Electric system assembly, retrofit, sealed/solid state, for conveyor, spinner, strobe light, work light w/ prewet
159821	RTS	Basic	Electric system assembly, retrofit, sealed/solid state, for conveyor, spinner, strobe light, work light
159822	RTS	Basic w/ prewet	Electric system assembly, retrofit, sealed/solid state, for conveyor, spinner, strobe light, work light w/ prewet
158989	All	GPS antenna	GPS antenna assembly w/ CANBUS, plug & play ground speed control
159800	All	Ground speed odo	Ground speed odometer module assembly w/CANBUS, requires odometer output signal

- Replace existing electric controls with a new, reliable, solid state system.
- One master control panel for all functions: conveyor, spinner, prewet and auxiliary lights.
- Automated features included: on-demand surge output, system function monitoring, built-in diagnostics, overload protection, and easy calibration.
- Automated conveyor output-to-speed and liquid output-to-speed with GPS option.
- Update programming via USB flash drive into USB port.
- Works with all DC spreaders





DISCONTINUED PARTS



NEW RETROFIT KITS



Electric Control Systems Replacement Guide

DISCONTINUED PART NO.	NEW RETROFIT KITS
139970	FSH: 159815 / FSP & FSM: 159813 / TGS: 159818 / RTS: 159821
139971	FSH: 159816 / FSP & FSM: 159814 / TGS: 159819 / RTS: 159822
140348	159817
140349	159817
140782	159813
140784	159813
140785	159815
140786	159818
140787	159821
140789	159814
140791	159814
140792	159816
140793	159819
140794	159822

RETROFIT FSP KIT



Pintle Plates



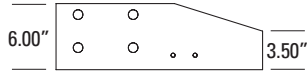
All Pintle Plates

PART NO.	DESCRIPTION		
135094	1.00" plate	34.00" x 24.00"	Fits 4.50" frame rails
140876	1.00" plate	34.00" x 24.00"	Fits 3.80" frame rails
HTE256	1.00" plate	33.25" x 14.00"	Fits 3.50" frame rails
158144	1.00" plate	34.00" x 24.00"	Fits 4.50" frame rails - with two 13.25" posts at 17.75" on center
158145	1.00" plate	33.25" x 29.63"	Fits 4.55" frame rails - with two 13.25" posts at 17.75" on center
158146	1.00" plate	33.25" x 27.63"	Fits 4.55" frame rails - with two 13.25" posts at 17.75" on center
137680	0.75" plate	34.00" x 19.75"	Fits 3.69" frame rails
140136	0.75" plate	33.88" x 25.63"	Fits 10.63" frame rails
140859	0.75" plate	33.88" x 24.50"	Blank
HTE45	0.75" plate	33.13" x 17.09"	Fits 4.00" frame rails
HTE208	0.75" plate	33.13" x 24.05"	Fits 9.50" frame rails
HTE213	0.75" plate	33.375" x 14.75"	Blank with cutouts for 3 light cluster
HTE239	0.75" plate	33.13" x 17.50"	Cutout for 2" receiver tube and 3 light cluster - for single axle w/ sub-frame
HTE240	0.75" plate	33.13" x 17.50"	Fits 9.50" frame rails - holes for 20-ton hook and 3 light cluster - for SA w/ sub-frame
HTE241	0.75" plate	33.13" x 17.50"	Fits 9.50" frame rails - holes for 25-ton hook and 3 light cluster - for SA w/ sub-frame
HTE269	0.75" plate	33.50" x 15.00"	Cutouts for 2 round lights
HTE270	0.75" plate	33.50" x 15.00"	Cutouts for round light holes and 3 light cluster
HTE271	0.75" plate	33.50" x 15.00"	Cutouts for rectangular light holes and 3 light cluster
HTE272	0.75" plate	33.50" x 15.00"	Holes for 20-ton hook, cutouts for round light holes and 3 light cluster
HTE273	0.75" plate	33.50" x 15.00"	Holes for 25-ton hook
HTE335	0.75" plate	33.50" x 24.50"	Fits 9.50" frame rails - holes for 20-ton hook and 3 light cluster - for SA w/ sub-frame
HTE336	0.75" plate	33.88" x 9.50"	Fits 4.50" frame rails - for tandem axle
122356	0.625" plate	33.88" x 24.50"	Fits 9.50" frame rails - blank
HTE355	0.625" plate	36.00" x 16.00"	1-ton, cutouts for 2" receiver and 3 light cluster
HTE356	0.625" plate	36.00" x 16.00"	1-ton, cutouts for 20-ton hook and 3 light cluster
NJTA120	0.50" plate	18.75" x 6.00"	
NJTA130	0.50" plate	34.88" x 14.87" x 2.93"	Fits 7.50" frame rails - plate formed into a C bracket
HTE313	0.50" plate	32.38" x 10" x 3.75"	Fits 4.88" frame rails - plate formed into L bracket

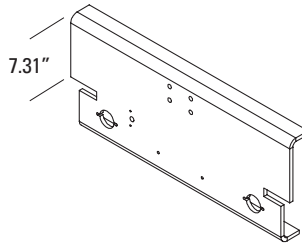


Pintle Plates

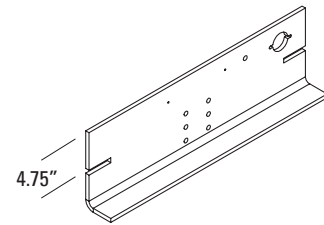
0.500" Plate



- NJTA120**
- 0.500" plate
 - 18.75" w x 6.00" h
 - 6.00" / 3.50" side edges

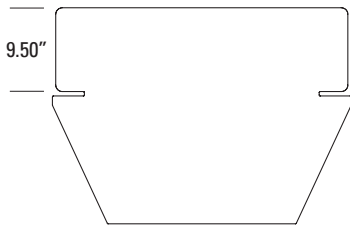


- NJTA130**
- 0.500" plate
 - 34.88" w x 14.87" h
 - Fits 7.31" frame rails

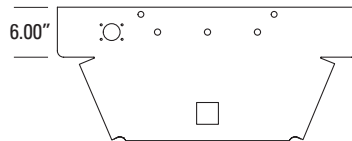


- HTE313**
- 0.50" plate
 - 32.38" w x 12.83" h
 - Fits 4.75" frame rails

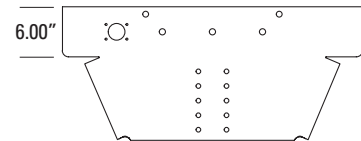
0.625" Plate



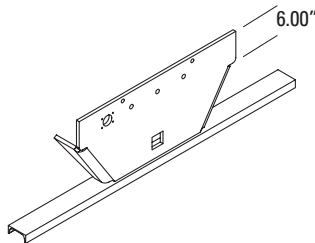
- 122356**
- 0.625" plate
 - 33.88" w x 24.50" h
 - Fits 9.50" frame rails



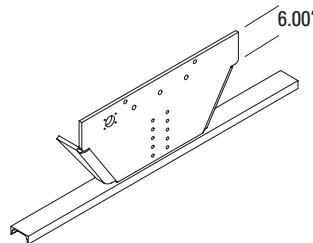
- HTE352**
- 0.625" plate
 - 36.00" w (top) x 16.00" h
 - Fits 6.00" frame rails



- HTE353**
- 0.625" plate
 - 36.00" w (top) x 16.00" h
 - Fits 6.00" frame rails

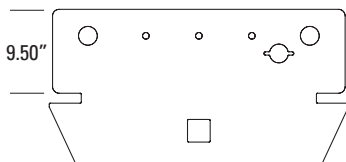


- HTE355**
- 0.625" plate
 - 36.00" w (top) x 16.00" h + channel
 - One ton
 - Fits 6.00" frame rails

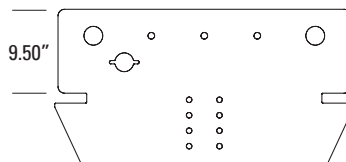


- HTE356**
- 0.625" plate
 - 36.00" w (top) x 16.00" h + channel
 - One ton
 - Fits 6.00" frame rails

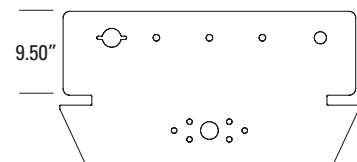
0.75" Plate



- HTE239**
- 0.75" plate
 - 33.88" w x 17.50" h
 - Fits 9.50" frame rails

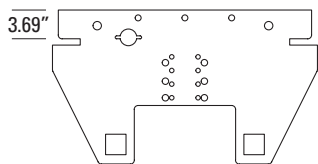


- HTE240**
- 0.75" plate
 - 33.88" w x 17.50" h
 - Fits 9.50" frame rails



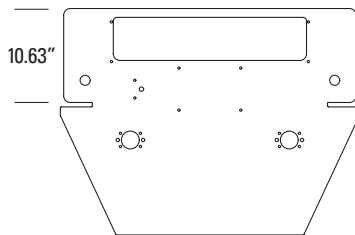
- HTE241**
- 0.75" plate
 - 33.88" w x 17.50" h
 - Fits 9.50" frame rails

0.75" Plate Continued



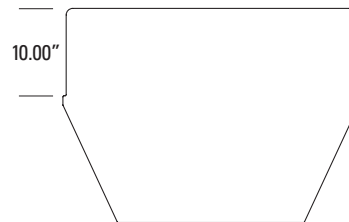
137680

- 0.75" plate
- 34.00" w x 19.75" h
- Fits 3.69" frame rails



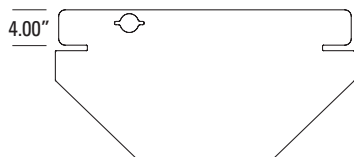
140136

- 0.75" plate
- 33.88" w x 25.63" h
- Fits 10.63" frame rails



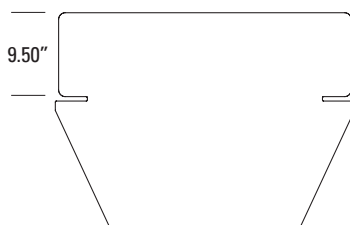
140859

- 0.75" plate
- 33.13" w x 24.50" h
- 10.00" side edges



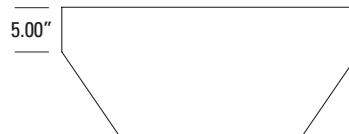
HTE45

- 0.75" plate
- 33.88" w x 17.09" h
- Fits 4.00" frame rails



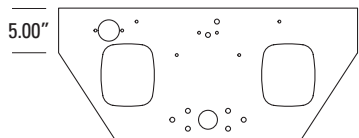
HTE208

- 0.75" plate
- 33.88" w x 24.50" h
- Fits 9.50" frame rails



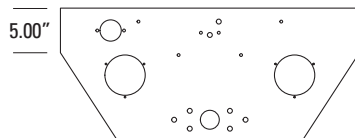
HTE213

- 0.75" plate
- 33.37" w x 14.75" h
- 5.00" side edges



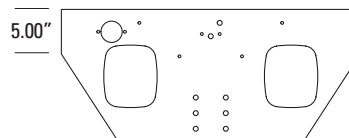
HTE269

- 0.75" plate
- 33.50" w x 15.00" h
- 5.00" side edges



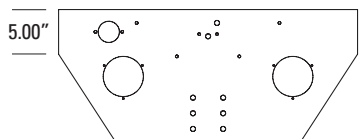
HTE270

- 0.75" plate
- 33.50" w x 15.00" h
- 5.00" side edges



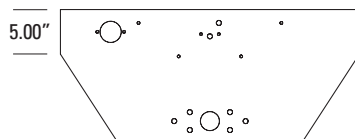
HTE271

- 0.75" plate
- 33.50" w x 15.00" h
- 5.00" side edges



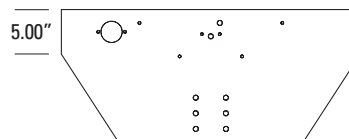
HTE272

- 0.75" plate
- 33.50" w x 15.00" h
- 5.00" side edges



HTE273

- 0.75" plate
- 33.50" w x 15.00" h
- 5.00" side edges

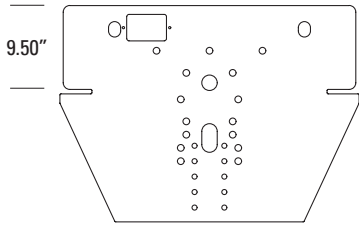


HTE274

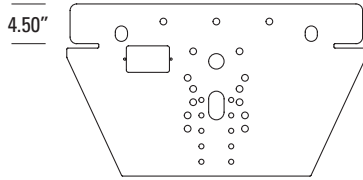
- 0.75" plate
- 33.50" w x 15.00" h
- 5.00" side edges

Pintle Plates

0.75" Plate Continued

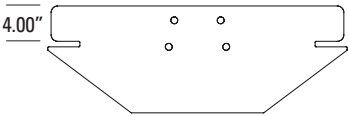


HTE335
 ■ 0.75" plate
 ■ 33.88" w x 24.50" h
 ■ Fits 9.50" frame rails

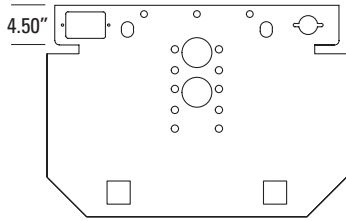


HTE336
 ■ 0.75" plate
 ■ 33.88" w x 19.50" h
 ■ Fits 4.50" frame rails

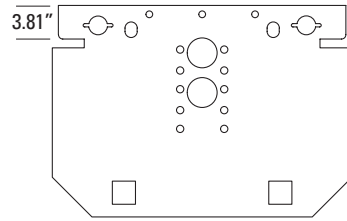
1.00" Plate



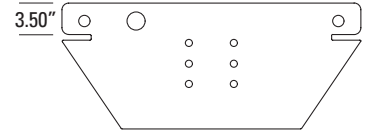
108423
 ■ 1.00" plate
 ■ 33.88" w x 12.09" h
 ■ Fits 4.00" frame rails



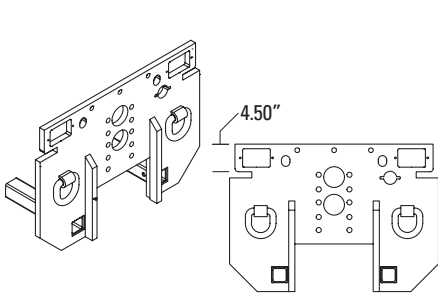
135094
 ■ 1.00" plate
 ■ 34.00" w x 24.00" h
 ■ Fits 4.50" frame rails



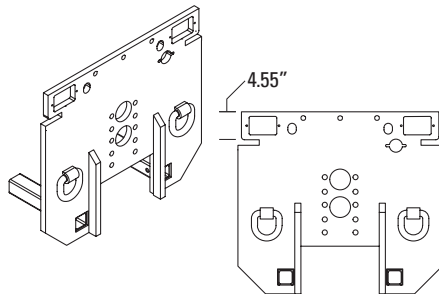
140876
 ■ 1.00" plate
 ■ 34.00" w x 24.00" h
 ■ Fits 3.81" frame rails



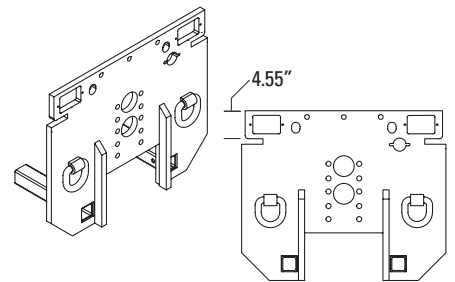
HTE256
 ■ 1.00" plate
 ■ 33.25" w x 14.00" h
 ■ Fits 3.50" frame rails



158144
 ■ 1.00" plate
 ■ 34.00" w x 24.00" h
 ■ Two 1.00" D-rings
 ■ Two tube receivers: 17.75" OC
 ■ Fits 4.50" frame rails



158145
 ■ 1.00" plate
 ■ 33.25" w x 29.63" h
 ■ Two 1.00" D-rings
 ■ Two tube receivers: 17.75" OC
 ■ Fits 4.55" frame rails



158146
 ■ 1.00" plate
 ■ 33.25" w x 27.63" h
 ■ Two 1.00" D-rings
 ■ Two tube receivers: 17.75" OC
 ■ Fits 4.55" frame rails



Attachments

Hooks | 20 & 25-Ton Capacity



160112

- Combination hook w/ latch
- Forged steel
- Draw bar inner eye dia: 2.00" - 3.00"
- 20-ton capacity



160888

- Swivel hook for use on uneven terrain
- Forged steel
- Draw bar inner eye dia: 2.00" - 3.00"
- 25-ton capacity

Hooks | 45-Ton Capacity



160110

- Tempered ductile iron
- 45-ton capacity w/ air kit



160113

- Tempered ductile iron
- Draw bar eye inner dia.: 2.38" - 3.00"
- 45-ton capacity



160365

- Forged steel
- Draw bar eye inner dia.: 2.38" - 3.00"
- 45-ton capacity w/ air kit

Hooks | 50-Ton Capacity



160114

- Air compensated hook
- Tempered ductile iron
- Inner diameter: 2.38" - 3.00"
- 50-ton capacity



160364

- Includes: air chamber & bracket kit, bolt kit
- Min. eye opening: 2.375"
- 50-ton capacity

Ball Mounts



160516

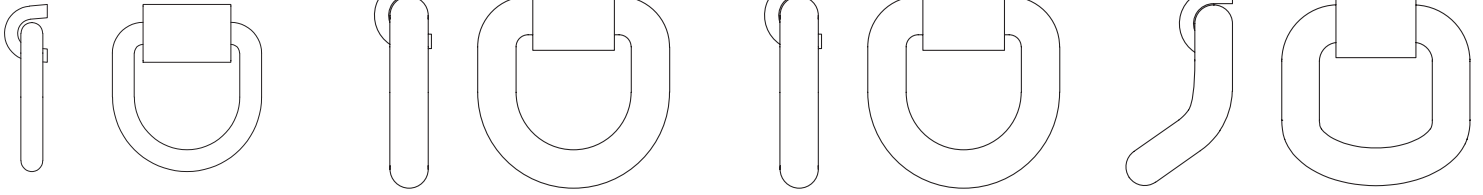
- 2" ball
- Forged steel w/ forged steel ball
- Draw bar eye inner dia.: 2.38" - 3.00"
- 10-ton capacity



160517

- 2.3125" (2⁵/₁₆") ball
- Forged steel w/ forged steel ball
- Draw bar eye inner dia.: 2.38" - 3.00"
- 10-ton capacity

D-rings



HX12163

- 0.625" D-ring (ring and retainer)
- Straight style

160436

- 0.75" D-ring (ring and retainer)
- Straight style

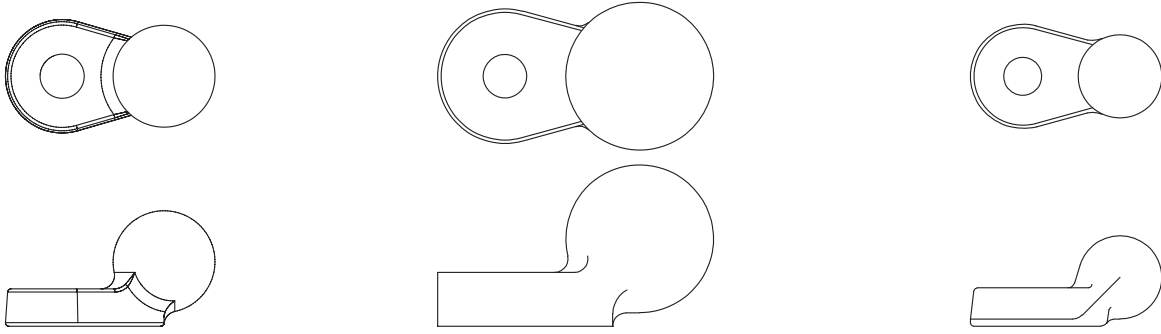
140637

- 1.00" D-ring (ring and retainer)
- Straight style

160935

- 1.00" D-ring (ring and retainer)
- 50° bent style

Ball Joints



81754

- 1.88" (1 7/8") ball
- Forged steel w/ forged steel ball
- 0.813" (13/16") hole
- Fits 1.50" pipe

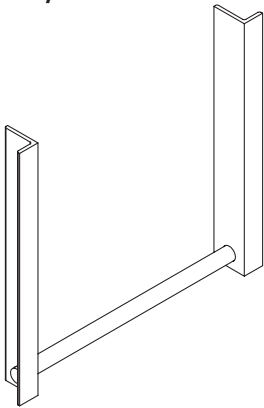
95130

- 2.75" ball
- Forged steel w/ forged steel ball
- 0.78" (31/840") hole
- Fits 2.50" schedule 40 pipe

95131

- 1.50" ball
- Forged steel w/ forged steel ball
- 0.688" (11/16") hole
- Fits 1.25" schedule 40 pipe

Specialty Channel



156631

- Universal chipper bar kit

Others available upon request.

All Attachments

PART NO.	DESCRIPTION		
HX12163	0.625" D-ring	4.25" x 4.00" plus hinge	Pair, straight style
160436	0.75" D-ring	3.00" x 3.00" plus hinge	Pair, straight style
160637	1.00" D-ring	5.00" x 5.00" plus hinge	Pair, straight style
160935	1.00" D-ring	Heavy-duty	Pair, 50° bent style with A style clip
81754	Ball Joint	1.88" ball	Fits 1.50" schedule 40 pipe
95130	Ball Joint	2.75" ball	Fits 2.50" schedule 40 pipe
95131	Ball Joint	1.50" ball	Fits 1.25" schedule 40 pipe

Fenders & Mud Flaps



Poly Fender Kits

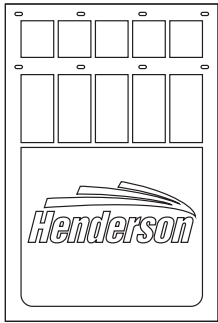
PART NO.	DESCRIPTION
160175	Single-axle, black, blank, poly fenders (pair)
160533	Single-axle, black, blank, poly quarter-fenders (pair)
160920	Tandem-axle, black, blank, poly fenders (pair)
161086	Tandem-axle, black, blank, poly quarter-fenders (pair)
164641	Poly, black, blank single fender

Others available upon request.

Fender Mount Brackets

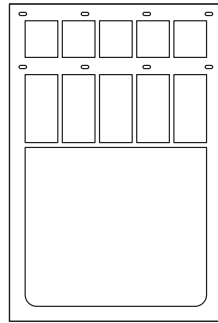
PART NO.	DESCRIPTION
160511	Fender mount bracket, offset (single)
160927	Fender mount bracket, offset, adjustable (set)
161025	Fender support mount bracket, straight
162105	Fender mount wedge

Others available upon request.



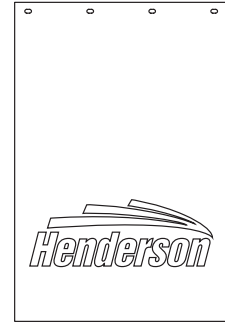
89374

- 0.50" black rubber
- Raised red & white logo
- 24.00"W x 36.00"H
- Holes for 30" or 36"H



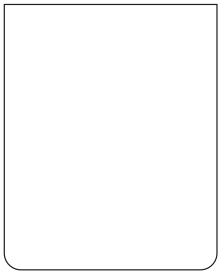
112237

- 0.50" black rubber - plain
- 24.00"W x 36.00"H
- Holes for 30" or 36"H



76561

- Black poly
- Red & white logo
- 24.00"W x 36.00"H



142675

- Black poly - plain
- 24.00"W x 30.00"H



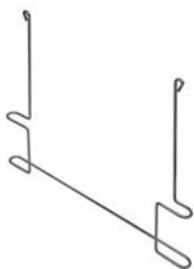
96581.201

- 10-ga. stainless steel
- 24.00"W x 30.00"H



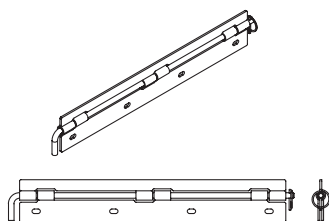
PART NO.	DESCRIPTION
89374	0.50" rubber 24.00" x 36.00" Black rubber - holes for 30" or 36"H with raised red & white Henderson logo imprint
112237	0.50" rubber 24.00" x 36.00" Black rubber - holes for 30" or 36"H
76561	Poly 24.00" x 36.00" Black poly with red & white Henderson logo imprint
142675	Poly 24.00" x 30.00" Black poly - plain
96581.201	10-ga. sheet 24.00" x 30.00" 0.13" stainless steel sheet with folded vertical edges

Mud Flap Brackets



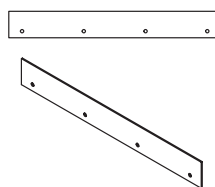
160057

- Anti-sail bracket
- Stainless steel
- 26.13"W x 21.00"H



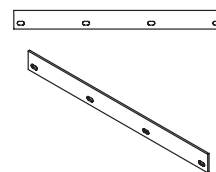
108270.201

- Left or right side bracket
- Stainless steel
- 24.00"W x 3.84"H



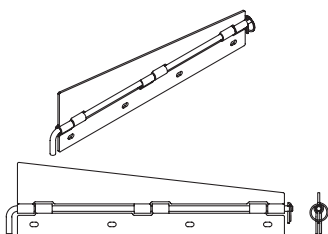
108752.201

- Stainless steel
- 24.00"W x 3.00"H



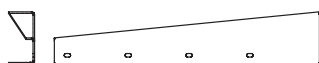
110896.201

- Anti-sail bracket
- Stainless steel
- 22.50"W x 2.00"H



152186.201

- Left or right side bracket
- Stainless steel
- 24.00"W x 6.57"/3.84"H



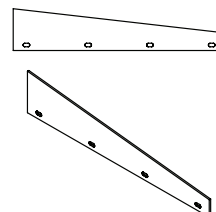
HTE275.201

- Left side bracket
- Stainless steel
- 30.50"W x 6.00"/3.00"H



HTE276.201

- Right side bracket
- Stainless steel
- 30.50"W x 6.00"/3.00"H



133026.201

- Trapezoid bracket
- Stainless steel
- 24.00"W x 4.75"/2.00"H

Stainless Steel Stationary Brackets for Dump Body

PART NO.	DESCRIPTION	QUANTITY REQUIRED
108752.201	Bracket 24.00" x 3.00" Stainless steel	2
110896.201	Bracket 22.50" x 2.00" Stainless steel	2

Stainless Steel Stationary Brackets for Flat Floor Munibody

PART NO.	DESCRIPTION	QUANTITY REQUIRED
113026.201	Bracket 24.00" x 4.75"/2.00" Stainless steel	2
110896.201	Bracket 22.50" x 2.00" Stainless steel	2

Stainless Steel Swinging Brackets for Dump Body

PART NO.	DESCRIPTION	QUANTITY REQUIRED
108270.201	Bracket 24.00" x 4.75"/2.00" Stainless steel	1

Stainless Steel Swinging Brackets for Flat Floor Munibody

PART NO.	DESCRIPTION	QUANTITY REQUIRED
133026.201	Bracket 24.00" x 4.75"/2.00" Stainless steel	2
108270.201	Bracket 24.00" x 4.75"/2.00" Stainless steel	2
152186.201	Bracket 24.00" x 6.57"/3.84" Stainless steel	2

Stainless Steel Frame-Mounted Brackets with Anti-Sail

PART NO.	DESCRIPTION	QUANTITY REQUIRED
HTE275.201	Bracket 30.50" x 6.00"/3.00" Stainless steel - left side	1
HTE276.201	Bracket 30.50" x 6.00"/3.00" Stainless steel - right side	1
160057	Bracket 26.13" x 21.00" Stainless steel wire	2
110896.201	Bracket 22.50" x 2.00" Stainless steel	2

Stainless Steel Body-Mounted Brackets with Anti-Sail

PART NO.	DESCRIPTION	QUANTITY REQUIRED
108752.201	Bracket 24.00" x 3.00" Stainless steel	2
160057	Bracket 26.13" x 21.00" Stainless steel wire	2
110896.201	Bracket 22.50" x 2.00" Stainless steel	2

Cab Shields



Styles

- Weld-On
- Stationary Frame Mount - w/ Window

Materials (All Sides are 7-Gauge)

- 10-gauge Grade 50 Mild Steel
- 10-gauge 201 SS
- 10-gauge 304 SS
- 7-gauge Grade 50 Mild Steel
- 7-gauge 201 SS
- 7-gauge 304 SS

Width Options

- 78"
- 86"
- 90"

Tarp Options

- w/ Integral Tarp Shroud
- No Tarp Shroud

Depth Options

- 16" (1/4 cab)
- 22" (1/2 cab)
- 30" (3/4 cab)
- 40" (full cab)

Leg Length Options

(Weld-On Cab Shields Only)

- Standard (27")
- Long (39")

Overall length measured at back of cab shield.

Light Options

All lights come with standard light boxes and wire standoffs.

- | | | | |
|-------------------------------|----------------------------|----------------------------|----------------------------|
| Front Facing | <input type="checkbox"/> 0 | <input type="checkbox"/> 2 | <input type="checkbox"/> 4 |
| Side (Number per side) | <input type="checkbox"/> 0 | <input type="checkbox"/> 1 | |
| Rear Facing | <input type="checkbox"/> 0 | <input type="checkbox"/> 2 | <input type="checkbox"/> 4 |



Tailgates



Calculate a Height Size

Flush Heights

- 24"
 26"
 30"
 36"
 44"
 52"
 60"

+ 8" Heights *(with taller rear bolster)*

- 32"
 34"
 38"
 44"
 52"
 60"

+ 16" Heights *(with taller rear bolster)*

- 40"
 42"
 46"
 52"
 60"

Tailgate Styles

Standard Straight

Sloped

Asphalt

Panel Materials (Typically Matches Body)

- 10-gauge Grade 50 Mild Steel
 7-gauge Grade 50 Mild Steel
 3/16" AR400

- 10-gauge 201 SS
 7-gauge 201 SS
 1/4" AR400

- 10-gauge 304 SS
 7-gauge 304 SS

Brace Options

Horizontal Braces

- 0
 1
 2
 3
 4
 5

Vertical Braces

- 0
 2

Brace Materials

- 10-gauge Grade 50 Mild Steel
 7-gauge Grade 50 Mild Steel

- 10-gauge 201 SS
 7-gauge 201 SS

- 10-gauge 304 SS
 7-gauge 304 SS



Coal Chute Options

- 0
- 1 (13.5" wide)
- 2 (13.5" wide)
- 3 (13.5" wide)
- 1 (18" wide)
- 2 (18" wide)

Hinge Styles

- Standard
- Watertight
- Barn Door
- Double Upper

Top Pivot Hardware (Ships Loose)

- | | | |
|-----------------------|---|---|
| 1" Plate Brackets | <input type="checkbox"/> Greaseable 1 1/4" Pins | <input type="checkbox"/> Non-Greaseable 1 1/4" Pins |
| 1 1/2" Plate Brackets | <input type="checkbox"/> Greaseable 1 1/2" Pins | <input type="checkbox"/> Non-Greaseable 1 1/2" Pins |

Lift Loops

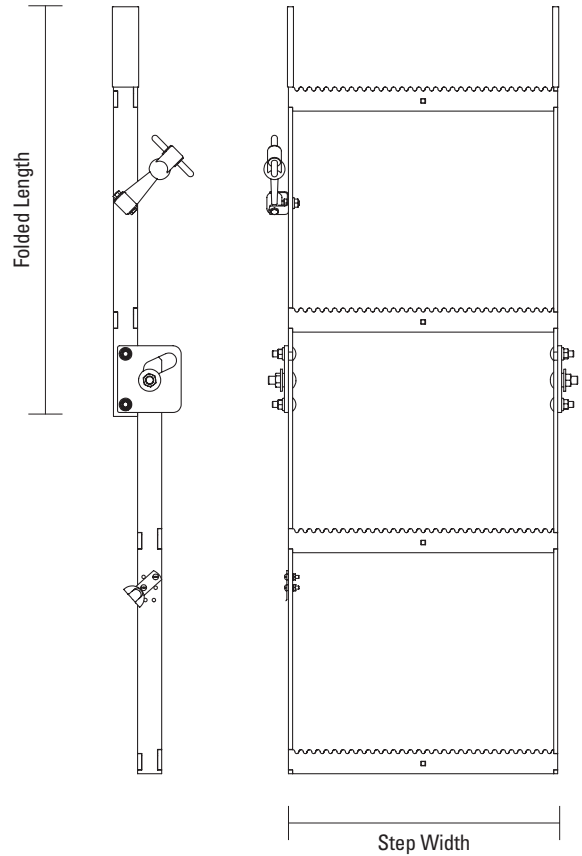
- Bar
- D-ring (flame cut)
- D-ring (bent rod)

Please contact Henderson to ensure compatibility.

Body Accessories

Sure Step Bolt-On Pivoting Ladders for Dump Bodies

PART NO.	DESCRIPTION			
155879.201	24.45" folded	46.68" overall length	16.75" step width	201 stainless steel construction
155880.201	30.45" folded	52.67" overall length	16.75" step width	201 stainless steel construction
155881.201	36.45" folded	69.44" overall length	16.75" step width	201 stainless steel construction
155882.201	44.45" folded	77.44" overall length	16.75" step width	201 stainless steel construction
155883.201	52.45" folded	85.44" overall length	16.75" step width	201 stainless steel construction
155884.201	60.45" folded	93.44" overall length	16.75" step width	201 stainless steel construction



15" Baffle Balls

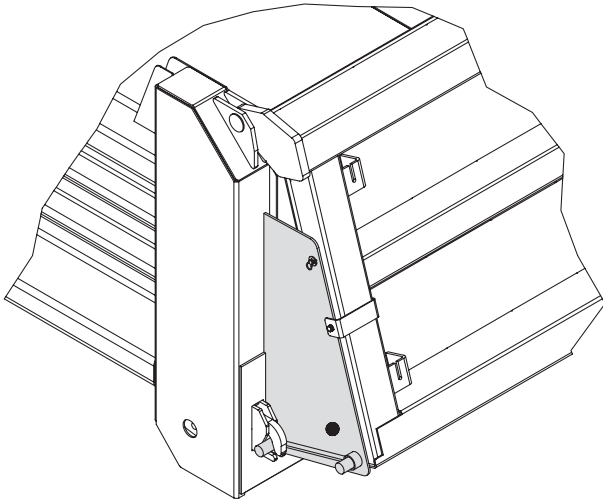


NEW!

114108

- 15" diameter x 27" length assembled
- Poly construction

TGS Tailgate Shield Kit

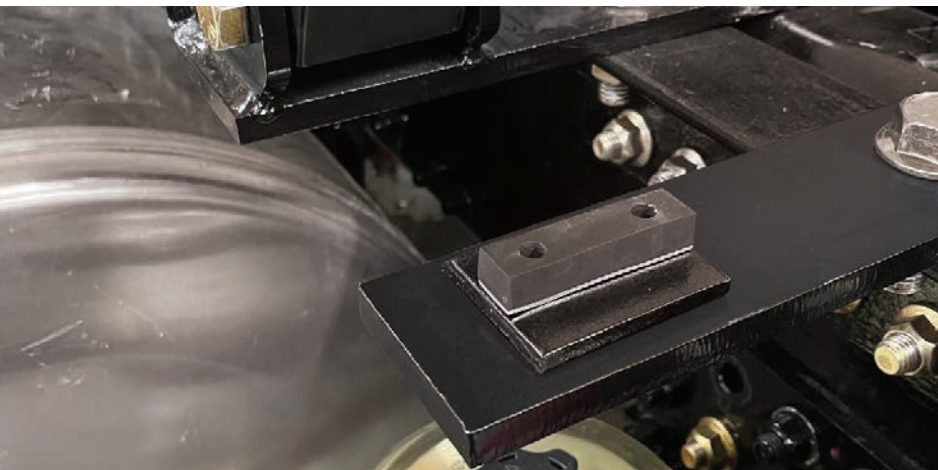


NEW!

138822

- Fills the gap between the tailgate, the body, and the spreader
- Complete kit with all required hardware and shields

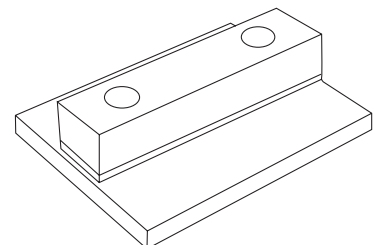
Body Prop Pad Kit



NEW!

184994

- Rubber
- Protects the chassis frame
- Secures the body prop in storage position



Asphalt Lips

For Munibodies



119741 (Mild steel)

119741.201 (201 stainless steel)

- Left or right side weld-on bracket
- 7-ga. (201 stainless steel or mild steel)
- 0.18" W x 12.25"D x 16.00"H

122907.201

- 8" bolt-on bottom section
- 7-ga. 201 stainless steel
- 3 mounting holes
- 95.13"W x 8.25"H x 6.58"D

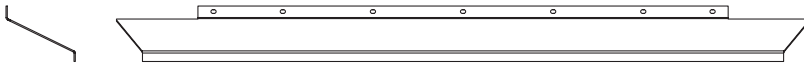


For Dump Bodies



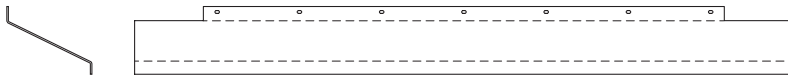
75199

- 12" weld-on bottom section
- 96.00"W x 12.00"D



141217.201

- 10" bolt-on bottom section
- 7-ga. 201 stainless steel
- 7 mounting holes
- 100.00"/92.50"W x 10.00"D



147666.201

- 10" bolt-on bottom section
- 7-ga. 201 stainless steel
- 7 mounting holes
- 26° slope
- 96.12"W x 7.99" H x 10.00"D

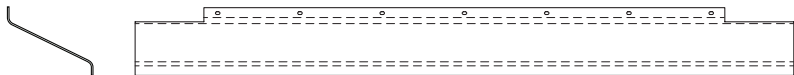


HX14396 (Mild steel)

HX14396.201 (201 stainless steel)

HX14396.AR4 (AR4 steel)

- 12" bolt-on bottom section
- 7-ga. (AR4, 201 stainless steel or mild steel)
- 7 mounting holes
- 96.12"W x 12.00"D



147665.AR4

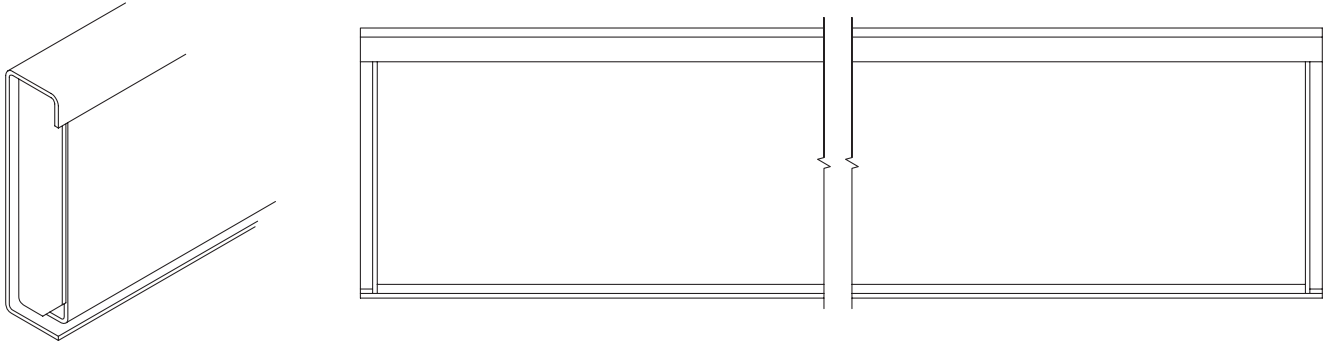
- 10" bolt-on bottom section
- 3/16" AR4 steel
- 7 mounting holes
- 26° slope
- 96.12"W x 7.98" H x 10.00"D



83323

- 12" bolt-on
- 7 mounting holes on tray / 4 mounting holes on sides

Sideboards



Note: a high lift body with the boardpocket option uses sideboards that are 2' shorter than nominal body length.

8" 201 Stainless Steel Sideboards for Mark-E Dump Bodies *(Including Tub-Style Bodies)*

Note: A high lift body with the boardpocket option uses sideboards that are 2' shorter than nominal body length.

PART NO.	DESCRIPTION			QUANTITY REQUIRED
351301.201	SS Sideboard	70.75" x 8.00"	For 9.00' high lift dump body - with std 2" pockets	2
351302.201	SS Sideboard	76.75" x 8.00"	For 9.50' high lift dump body - with std 2" pockets	2
351303.201	SS Sideboard	82.75" x 8.00"	For 10.00' high lift dump body - with std 2" pockets	2
351304.201	SS Sideboard	88.75" x 8.00"	For 10.50' high lift dump body - with std 2" pockets	2
351305.201	SS Sideboard	94.75" x 8.00"	For 11.00' high lift dump body - with std 2" pockets	2
351306.201	SS Sideboard	100.75" x 8.00"	For 11.50' high lift dump body - with std 2" pockets	2
351307.201	SS Sideboard	106.75" x 8.00"	For 10.00' dump body - with std 2" pockets / For 12.00' high lift dump body - with std 2" pockets	2
351308.201	SS Sideboard	112.75" x 8.00"	For 10.50' dump body - with std 2" pockets / For 12.50' high lift dump body - with std 2" pockets	2
351309.201	SS Sideboard	118.75" x 8.00"	For 11.00' dump body - with std 2" pockets / For 13.00' high lift dump body - with std 2" pockets	2
351310.201	SS Sideboard	124.75" x 8.00"	For 11.50' dump body - with std 2" pockets / For 13.50' high lift dump body - with std 2" pockets	2
351311.201	SS Sideboard	130.75" x 8.00"	For 12.00' dump body - with std 2" pockets / For 14.00' high lift dump body - with std 2" pockets	2
351312.201	SS Sideboard	136.75" x 8.00"	For 12.50' dump body - with std 2" pockets / For 14.50' high lift dump body - with std 2" pockets	2
351313.201	SS Sideboard	142.75" x 8.00"	For 13.00' dump body - with std 2" pockets / For 15.00' high lift dump body - with std 2" pockets	2
351314.201	SS Sideboard	148.75" x 8.00"	For 13.50' dump body - with std 2" pockets / For 15.50' high lift dump body - with std 2" pockets	2
351315.201	SS Sideboard	154.75" x 8.00"	For 14.00' dump body - with std 2" pockets / For 16.00' high lift dump body - with std 2" pockets	2
351316.201	SS Sideboard	160.75" x 8.00"	For 14.50' dump body - with std 2" pockets / For 16.50' high lift dump body - with std 2" pockets	2
351317.201	SS Sideboard	166.75" x 8.00"	For 15.00' dump body - with std 2" pockets / For 17.00' high lift dump body - with std 2" pockets	2
351318.201	SS Sideboard	172.75" x 8.00"	For 15.50' dump body - with std 2" pockets / For 17.50' high lift dump body - with std 2" pockets	2
351319.201	SS Sideboard	178.75" x 8.00"	For 16.00' dump body - with std 2" pockets / For 18.00' high lift dump body - with std 2" pockets	2
351320.201	SS Sideboard	184.75" x 8.00"	For 16.50' dump body - with std 2" pockets / For 18.50' high lift dump body - with std 2" pockets	2
351321.201	SS Sideboard	190.75" x 8.00"	For 17.00' dump body - with std 2" pockets / For 19.00' high lift dump body - with std 2" pockets	2
351322.201	SS Sideboard	196.75" x 8.00"	For 17.50' dump body - with std 2" pockets / For 19.50' high lift dump body - with std 2" pockets	2
351323.201	SS Sideboard	202.75" x 8.00"	For 18.00' dump body - with std 2" pockets / For 20.00' high lift dump body - with std 2" pockets	2
351324.201	SS Sideboard	208.75" x 8.00"	For 18.50' dump body - with std 2" pockets	2
351325.201	SS Sideboard	214.75" x 8.00"	For 19.00' dump body - with std 2" pockets	2
351325.201	SS Sideboard	220.75" x 8.00"	For 19.50' dump body - with std 2" pockets	2
351325.201	SS Sideboard	226.75" x 8.00"	For 20.00' dump body - with std 2" pockets	2



Plow Light Bracket Kits



Freightliner® 114SD Mid-2019 to current International®

PART NO.	DESCRIPTION			QUANTITY REQUIRED
107891	Bracket & light	Left	Stainless steel	1
108122	Bracket & light	Right	Stainless steel	1
160129	SS Bolt Kit	Complete	Bolts, nuts & washers	1



Freightliner® 114SD Up to mid-2019

PART NO.	DESCRIPTION			QUANTITY REQUIRED
140720.201	Bracket	Left	Stainless steel	1
140721.201	Bracket	Right	Stainless steel	1
160129	SS Bolt Kit	Complete	Bolts, nuts & washers	1



Freightliner® Western Star® Other brands

PART NO.	DESCRIPTION			QUANTITY REQUIRED
122933.304	1 bracket & light	Left or right	Stainless steel	2
160129	SS Bolt Kit	Complete	Bolts, nuts & washers	1



International®

PART NO.	DESCRIPTION	QUANTITY REQUIRED
HTE331.201	2 brackets w/ bolts Left & right Stainless steel	1



Mack®

PART NO.	DESCRIPTION	QUANTITY REQUIRED
HTE115	Bracket Left Stainless steel	1
HTE116	Bracket Right Stainless steel	1
160129	SS Bolt Kit Complete Bolts, nuts & washers	1



Peterbilt®

PART NO.	DESCRIPTION	QUANTITY REQUIRED
108311	1 bracket w/ bolts Left or right Stainless steel	2
160129	SS Bolt Kit Complete Bolts, nuts & washers	1

Plow Lights

LED Plow Lights

NEW!

160505

7" Round Heated Lens Snowplow Light, 12-24V Kit

HEADLAMPS

- 2 LED Arrays / 23 diodes per light / solid state design
- Designed, w/ heater off, at: 12.8V, 1.4A (low beam), 2.7A (high beam); 25.6V, 0.7A (low beam), 2.5A (high beam)
- Designed, w/ heater on, at: 12.8V, 3.1A (low beam), 4.5A (high beam); 25.6V, 1.6A (low beam), 2.6A (high beam)
- Coil-embedded lens with temperature sensor starts heating under 50°F
- Polycarbonate lens

FRONT / PARK / TURN LAMPS

- 21 light emitting diodes
- Designed at 12.8V
- Major function: .625a, minor function: .046a
- Includes wiring harness



D.O.T.

NEW!

180115

5x7" Rectangular Heated Lens Snowplow Light, 12-24V Kit

HEADLAMPS

- 2 LED Arrays / 27 diodes per light / solid state design
- Designed, w/ heater off, at: 12.8V, 1.4A (low beam), 2.7A (high beam); 25.6V, 0.7A (low beam), 2.5A (high beam)
- Designed, w/ heater on, at: 12.8V, 3.0A (low beam), 4.1A (high beam); 25.6V, 2.0A (low beam), 2.4A (high beam)
- Coil-embedded lens with temperature sensor starts heating under 50°F
- Polycarbonate lens

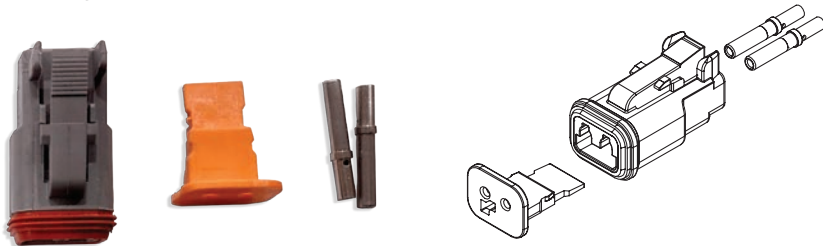
FRONT / PARK / TURN LAMPS

- 21 light emitting diodes
- Designed at 12.8V
- Major function: .625A, minor function: .046A
- Includes wiring harness



D.O.T.

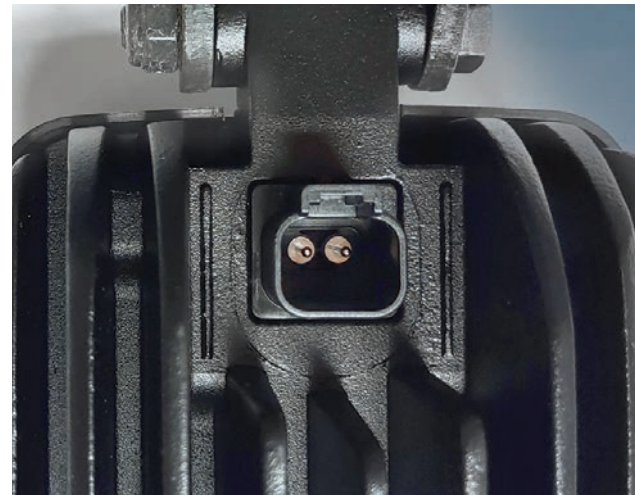
Work Light Connector Parts



183463

Complete kit with parts: Connector 129514, Wedge 129523 and Terminals 129499 as shown above.

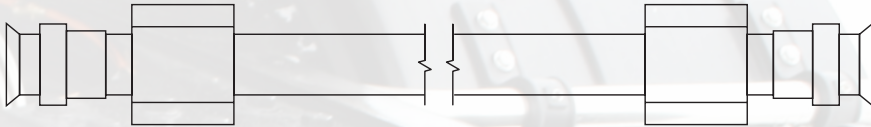
More connectors available upon request.



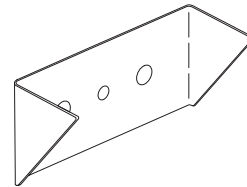
Hydraulic Lines

PART NO.	DESCRIPTION			
162246	0.50" dia.	48.00" long	3,800 PSI	Ends: 37° single flare w/ female JIC ferrule and female JIC flare nut
162190	0.50" dia.	72.00" long	3,800 PSI	Ends: 37° single flare w/ female JIC ferrule and female JIC flare nut
163602	0.50" dia.	108.00" long	3,800 PSI	Ends: 37° single flare w/ female JIC ferrule and female JIC flare nut
162247	0.75" dia.	48.00" long	3,400 PSI	Ends: 37° single flare w/ female JIC ferrule and female JIC flare nut
162179	0.75" dia.	72.00" long	3,400 PSI	Ends: 37° single flare w/ female JIC ferrule and female JIC flare nut
163599	0.75" dia.	108.00" long	3,400 PSI	Ends: 37° single flare w/ female JIC ferrule and female JIC flare nut

Others available upon request.



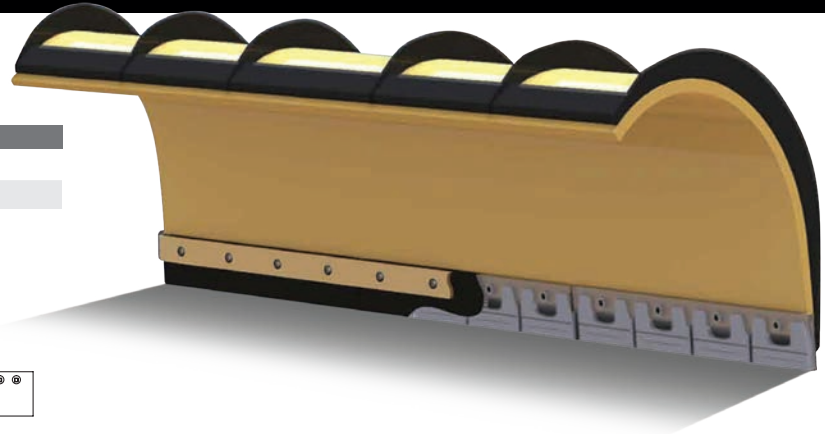
Hydraulic Hose Coupling Brackets



HTE156

- 12-ga. 201 stainless steel
- 8.38" w x 3.98" h with 4.84" D gussets
- Two .75" holes and one .53" hole

Plow Components



Joma Cutting Edge Kits

PART NO.	DESCRIPTION
163543	Cutting edge 10' kit
163993	Cutting edge 11' kit
165478	Cutting edge 12' kit

Contact the Henderson Parts Dept. for all other kits, combinations and hardware available.



Standard Cutting Edges

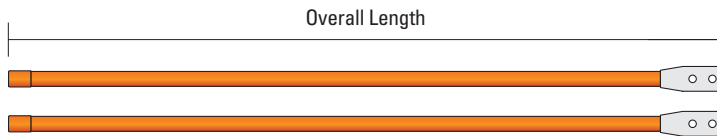
PART NO.	DESCRIPTION
81935	.625" x 8" x 10'
81936	.625" x 8" x 11'
81937	.625" x 8" x 12'



Carbide Cutting Edges

PART NO.	DESCRIPTION
81933	.75" x 6" x 4'
81934	.75" x 6" x 3'

Contact the Henderson Parts Dept. for all other kits, combinations and hardware available.



Marker Sticks

PART NO.	DESCRIPTION
134497	.75" dia. orange with steel wire inserts, 30" long overall (pair)
81665	.75" dia. orange with steel wire inserts, 36" long overall, (pair)
170913	.75" dia. orange with steel wire insert, 36" long overall (single)
110692	.75" dia. orange with steel wire inserts, 48" long overall (pair)
180250	.75" dia. orange with steel wire insert, 48" long overall (single)

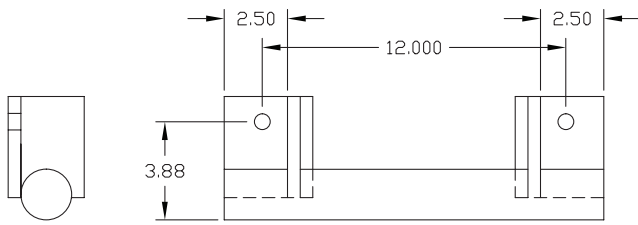
RSP & MSP Hardware Kit for Cutting Edges & Curb Guards

187229

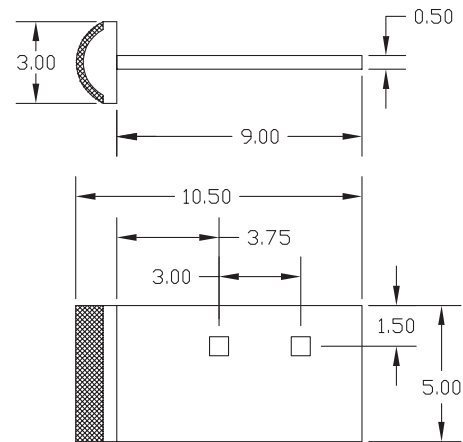
- All the hardware needed to replace standard and carbide cutting edges and curb guards on one plow: 14 cutting edge bolts, 4 curb guard bolts, and 18 locking nuts.
- For 10', 11', and 12' RSP & MSP plows
- For standard and carbide cutting edges



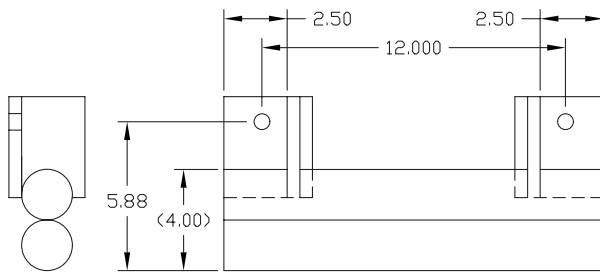
Curb Guards



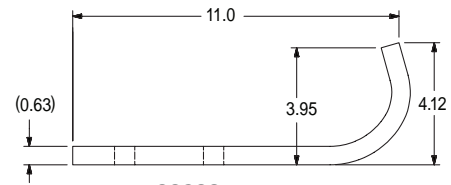
83596
6" moldboard shoe weldment



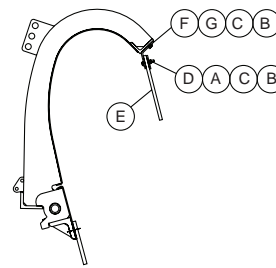
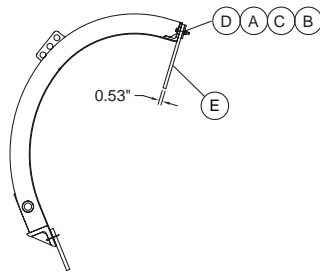
85776
Half-moon curb guard



84991
8" moldboard shoe weldment



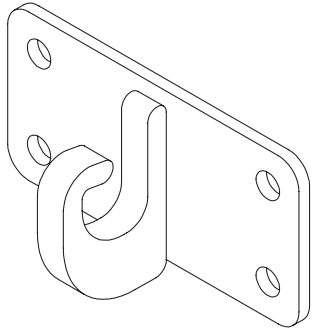
86980
Wrap-around curb guard



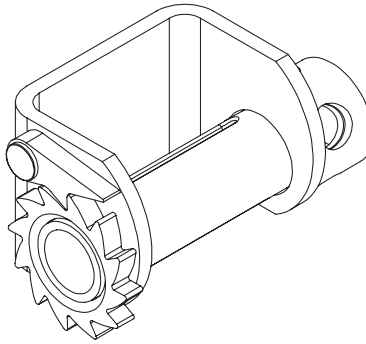
Rubber Deflectors

PART NO.	ITEM	10'	11'	12'	DESCRIPTION
50338	A	8	8	9	Screw, CP, HX, 3/8NC x 2 G5
111430	B	8	8	9	Nut, nylock, 3/8-16NC
10538	C	8	8	9	Washer, flat, standard, 3/8"
342803.201	D	1	-	-	Plate, backing, deflector, 10'
342804.201	D	-	1	-	Plate, backing, deflector, 11'
342805.201	D	-	-	1	Plate, backing, deflector, 12'
338601	E	1	-	-	Logo deflector, rubber, 10'
81653	E	1	-	-	Plain deflector, rubber, 10'
338602	E	-	1	-	Logo deflector, rubber, 11'
81654	E	-	1	-	Plain deflector, rubber, 11'
338603	E	-	-	1	Logo deflector, rubber, 12'
81655	E	-	-	1	Plain deflector, rubber, 12'
340501	F	1	-	-	Bracket for 10' deflector
340502	F	-	1	-	Bracket for 11' deflector
340503	F	-	-	1	Bracket for 12' deflector
50337	G	8	8	9	Screw, CP, HX, 3/8NC x 1-1/2 G5

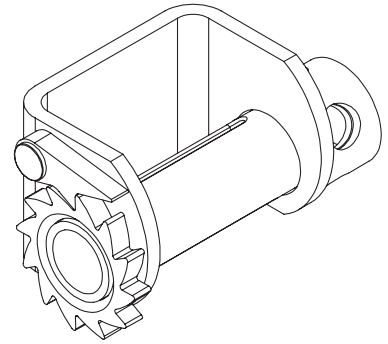
Straps and Hold-Downs



115837.201
Stainless steel hook
■ Requires four 0.5" bolts to attach



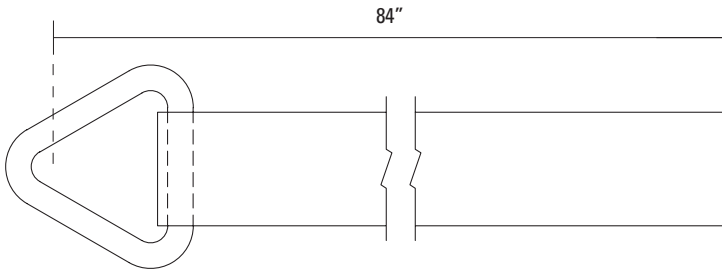
128700.304
Stainless steel strap winch



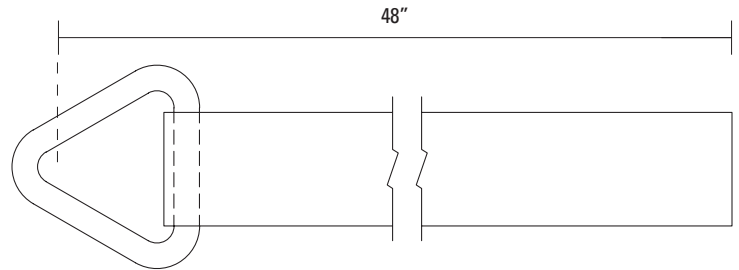
108696
Mild steel strap winch
■ Painted black

112054
Winch Bar

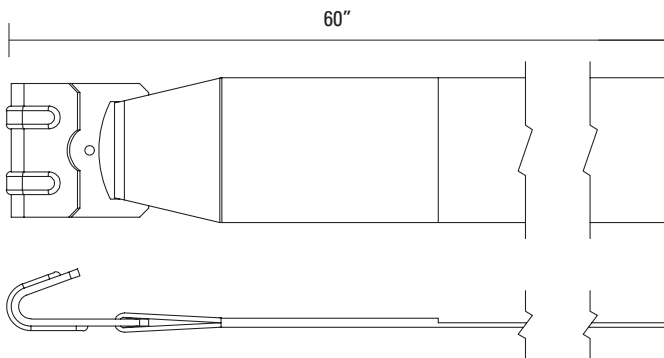
112054
Winch Bar



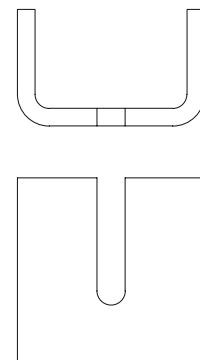
143046
■ Strap tie-down with Delta ring
■ 4" webbing
■ Working load limit: 5,400 lbs.
■ Assembly breaking strength: 16,200 lbs.
■ 84" overall length



138695
■ Strap tie-down with Delta ring
■ 4" webbing
■ Working load limit: 5,400 lbs.
■ Assembly breaking strength: 16,200 lbs.
■ 48" overall length



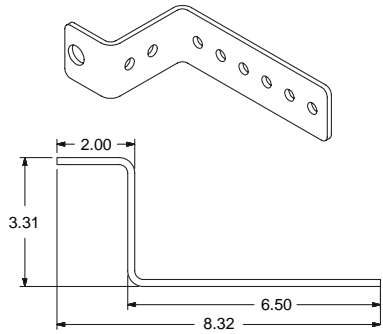
148005
■ Strap tie-down with flat hook
■ 4" webbing
■ Hook working load limit: 5,400 lbs.
■ Hook assembly breaking strength: 7,350 lbs.
■ Strap working load limit: 6,600 lbs.
■ Strap breaking strength: 19,800 lbs.



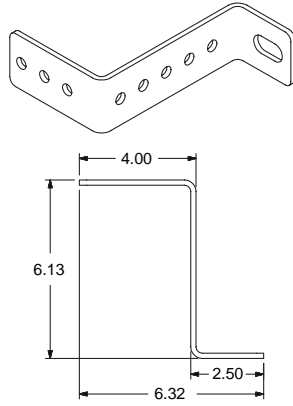
NEW!

76388 / 76388.201 / 76388.304
■ Chain hook
■ Weld-on

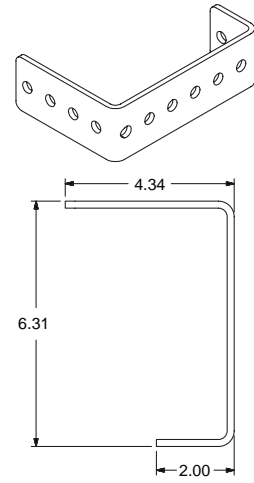
Universal Stainless Steel Brackets



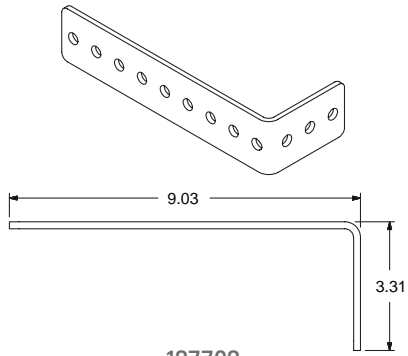
HTE343



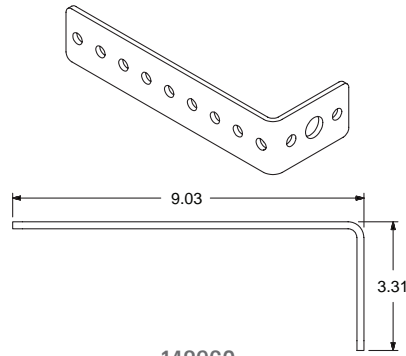
HTE344



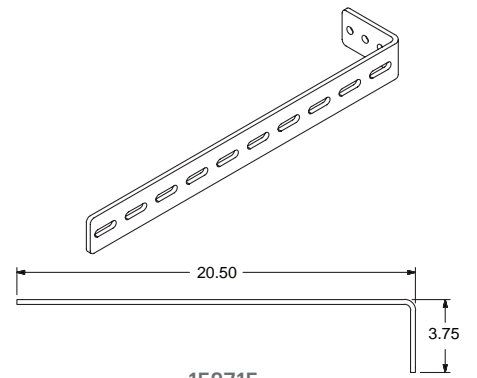
137702



137703



148960



152715

Cameras & Monitoring Systems



165137

- 7" LED **extreme-duty**, split-screen, color monitor w/ speakers
- 3 camera inputs
- 2 **extreme-duty**, heated cameras w/ high-sensitivity microphones
- 20G vibration resistant/waterproof monitor and cameras
- 150° view angle
- Auto-trigger activation (backup/turn signals/etc.)
- Military-grade cables w/ screw-type connectors
- 12v to 32v DC
- 3-year manufacturer's warranty

161948

- 7" LED **heavy-duty**, split-screen, color monitor w/ speakers
- 3 camera inputs
- 1 **extreme-duty**, heated camera w/ high-sensitivity microphone
- 10G vibration resistant/waterproof monitor
- 20G vibration resistant/waterproof camera
- 150° view angle
- Auto-trigger activation (backup/turn signals/etc.)
- Military-grade cables w/ screw-type connectors
- 12v to 24v DC
- 3-year manufacturer's warranty

164235

- 5" LED **heavy-duty**, split-screen, color monitor w/ speakers
- 1 **extreme-duty**, heated camera w/ high-sensitivity microphone
- 20G vibration resistant/waterproof monitor and camera
- 150° view angle
- Auto-trigger activation (backup/turn signals/etc.)
- Military-grade cables w/ screw-type connectors
- 12v to 24v DC
- 2-year manufacturer's warranty

164626

- 1 **extreme-duty**, heated camera w/ high-sensitivity microphone
- 20G vibration resistant/waterproof
- 150° view angle
- Military-grade cables w/ screw-type connectors
- 12v to 32v DC
- 2-year manufacturer's warranty

164405

- Military-grade cable w/ screw-type connectors
- Weatherproof/watertight
- Linkable
- 10 meters/32' 9" long
- Lifetime manufacturer's warranty

Mount Plate

148084.201

- For most camera systems
- Bracket with upper shield

Contact us with your parts order today



Tanya Beasley
Parts Sales Specialist



Dave Cabalka
Parts Sales Specialist



Joey Giard
Parts Sales Specialist



Dana Horning
Parts Sales Specialist



Jennifer Radabaugh
Parts Sales Specialist

parts@hendersonproducts.com

800-359-4970

hendersonproducts.com/parts

Are You Ready for Winter?



Keeping America's roads safe. That's our business.

Scan the code for our latest
Henderson parts and accessories



HENDERSON PRODUCTS INC.
1085 S. Third St., Manchester, IA 52057
800-359-4970

HENDERSON UPFIT & SERVICE CENTERS

Henderson Products - Illinois	Huntley, IL	847-836-4996
Henderson Products - Iowa	Manchester, IA	563-927-7000
Henderson Products - Missouri	Fulton, MO	573-826-2911
Henderson Products - New Jersey	Kenvil, NJ	973-347-1537
Henderson Products - New York	Watertown, NY	315-785-0994
Henderson Products - Ohio	Bucyrus, OH	419-617-7509

The Dependable Ones™