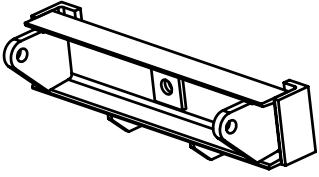
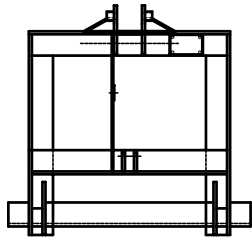


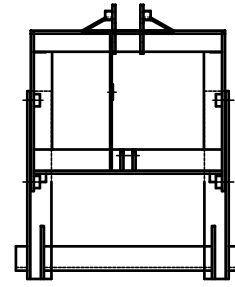
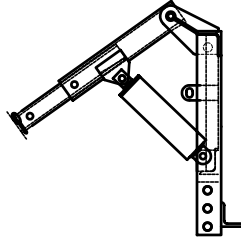
# HENDERSON HITCHES



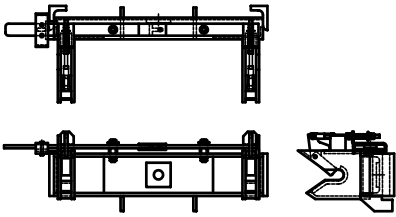
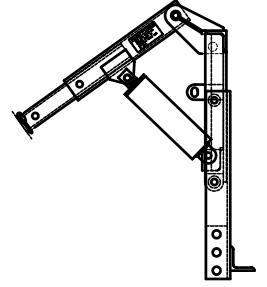
PIN HITCH  
Plow Portion  
21", 30.5" AND 33.5"



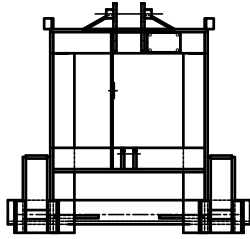
LOW PROFILE PIN HITCH  
Truck Portion  
30.5" - 33.5" - 21"/30.5" COMBO



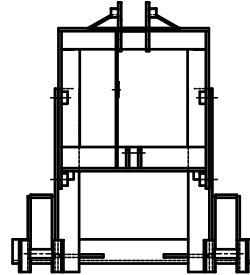
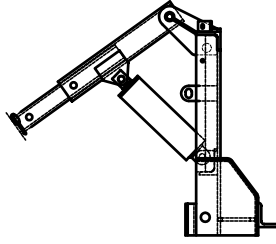
MANUAL TILT PIN HITCH  
Truck Portion  
30.5" - 33.5" - 21"/30.5" COMBO



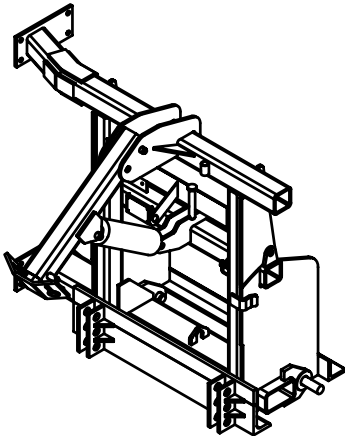
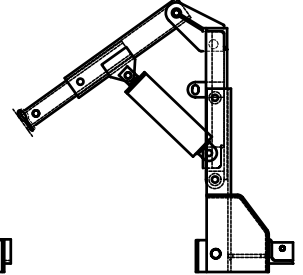
QUICK HITCH  
Plow Portion  
30.5" and 33.5"



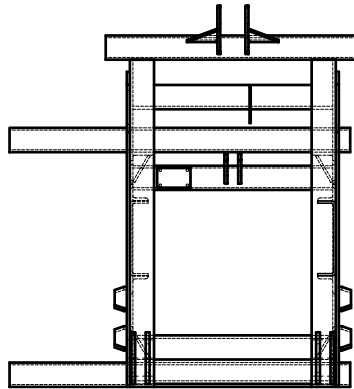
LOW PROFILE QUICK HITCH  
Truck Portion  
30.5" and 33.5"



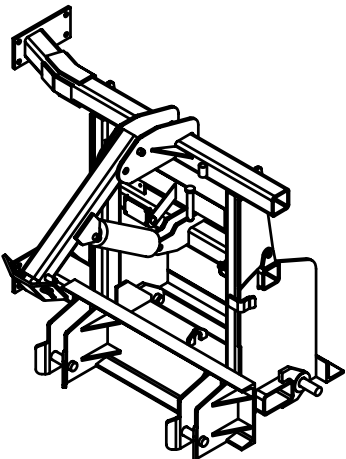
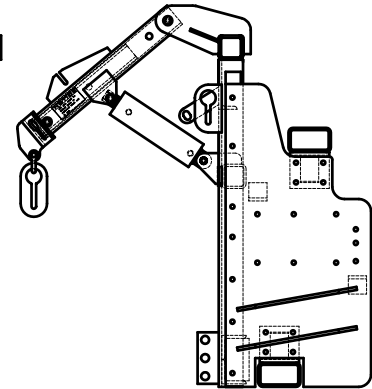
MANUAL TILT QUICK HITCH  
Truck Portion  
30.5" and 33.5"



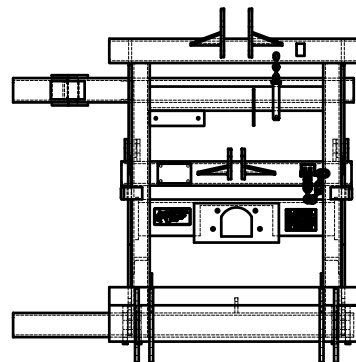
POWER TILT WING  
PIN HITCH  
Truck Portion



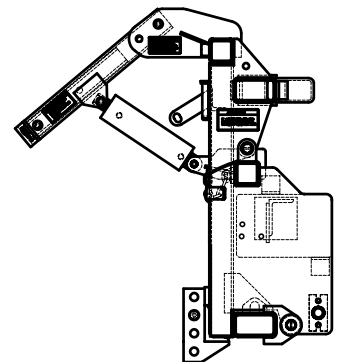
NON-TILT HD WING PIN HITCH  
Truck Portion



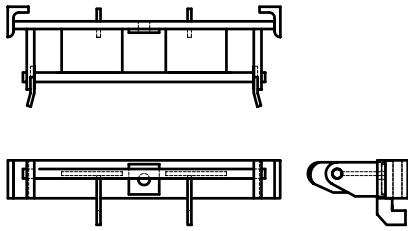
POWER TILT WING  
QUICK HITCH  
Truck Portion



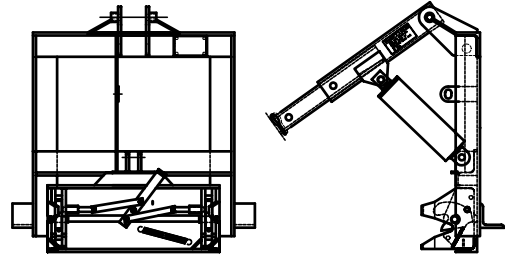
POWER TILT HD WING PIN HITCH  
Truck Portion



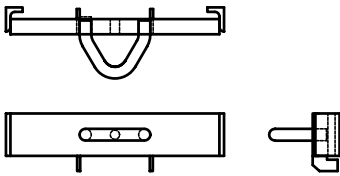
# HENDERSON HITCHES



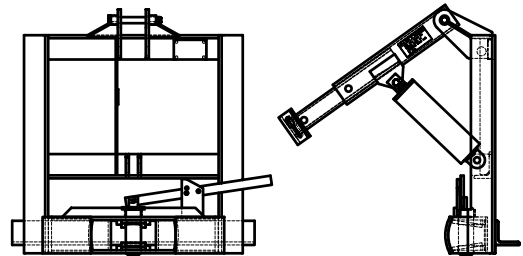
QUICK LINK  
Plow Portion



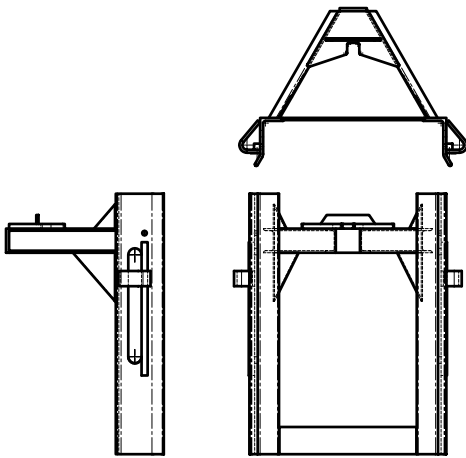
QUICK LINK  
Truck Portion



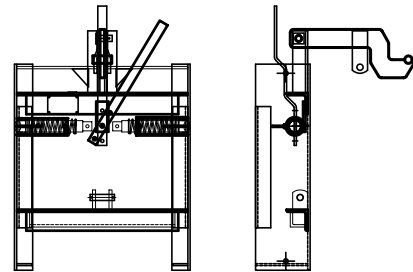
OSCILLATING LOOP  
Plow Portion



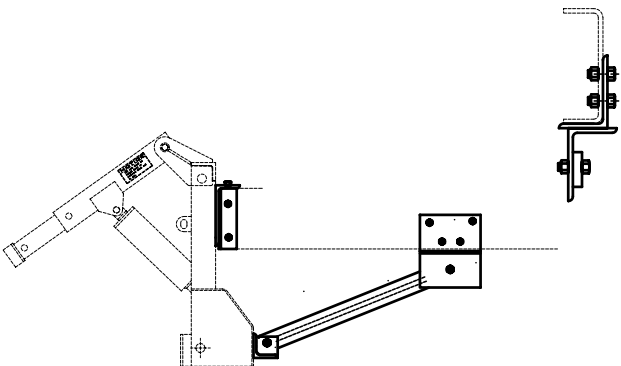
PIN & LOOP LOW PROFILE HITCH  
Truck Portion



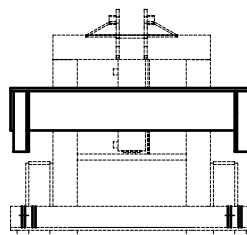
HUSTING HITCH  
Plow Portion  
29" & 34"



HUSTING HITCH  
Truck Portion  
29" & 34"



BUMPER TO FRAME KIT



**Henderson**

1085 S. Third St., Manchester, IA 52057  
Toll Free: (800) 359-4970  
[www.hendersonproducts.com](http://www.hendersonproducts.com)

© Henderson Products, Inc., a division of Douglas Dynamics, L.L.C., reserves the right in pursuit of continuous product improvement to change specifications used herein. As a custom manufacturer of truck bodies, truck equipment and brine systems, additional product options may be available that are not shown here.